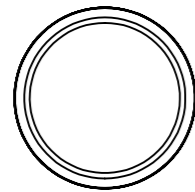
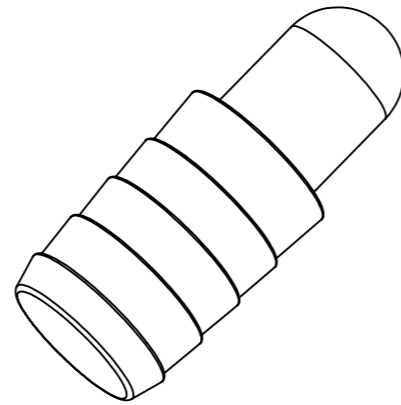
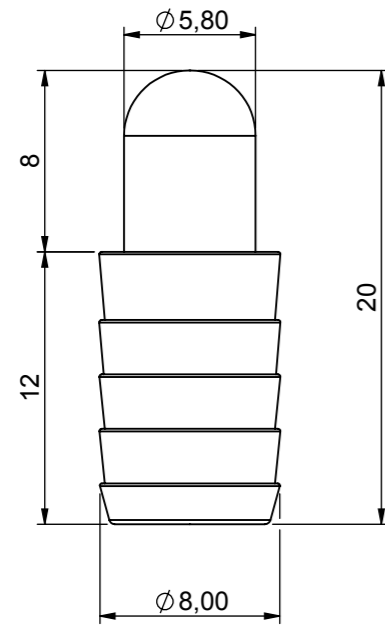
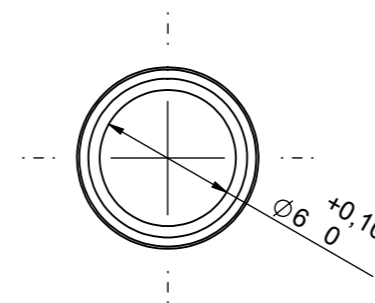
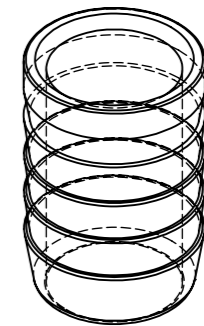
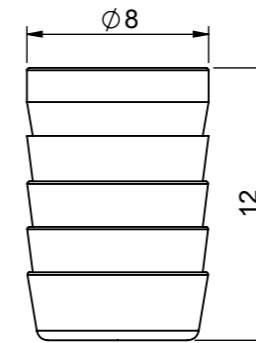


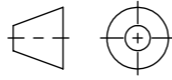

Dübel / Dowel



Hülse / Bushing



All property rights and rights to exploitation of copyright for this drawing data remain ours; they may not be made available to third parties without our consent.

a	Zeichnungsformat Aktualisiert		17.04.2013	Vandyck	
Index	Change		Date	Name	
 DIN ISO 128-30	Description: Dübel / Hülse - Stahl				
	Surface: Galvanized	Material: Verzinkter Stahl	Weight: 1.73	kg	
	Name	Date	Company: Fa. Pöttker		
	Signed: Carrera	17.02.2009			
	Tested:		Second Company:		
General tolerance: DIN ISO 2768 -1		Item No: 15065	Scale: 5:1	Page: 1 / 1	A3