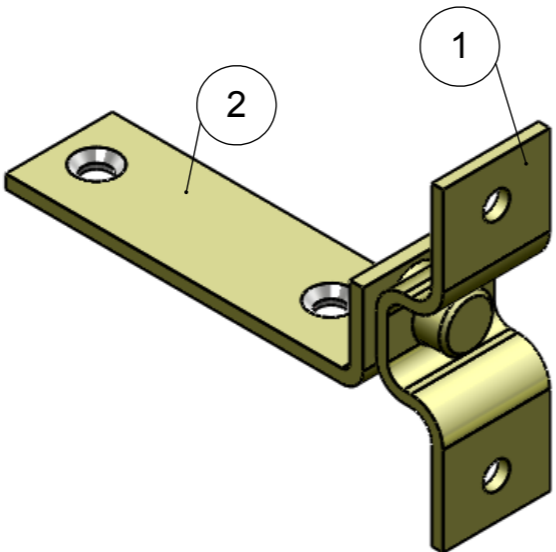
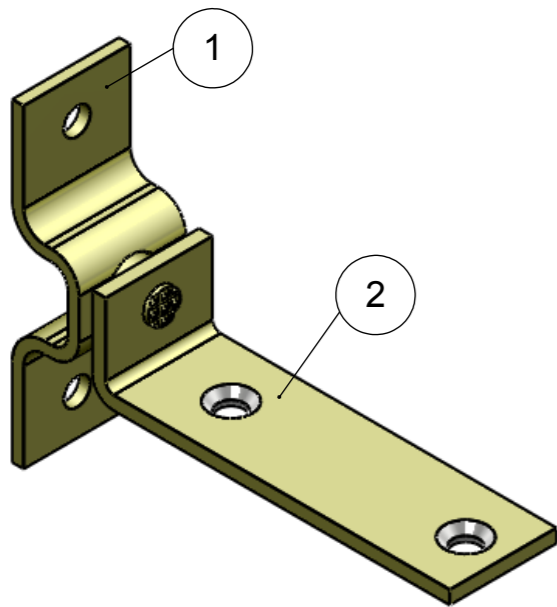
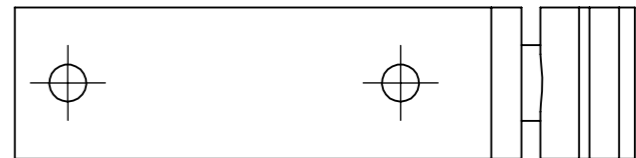
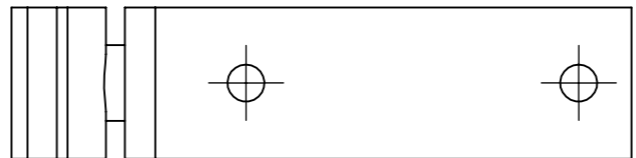
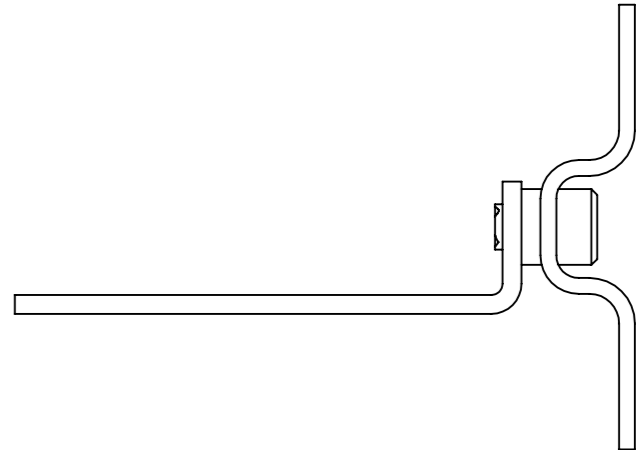
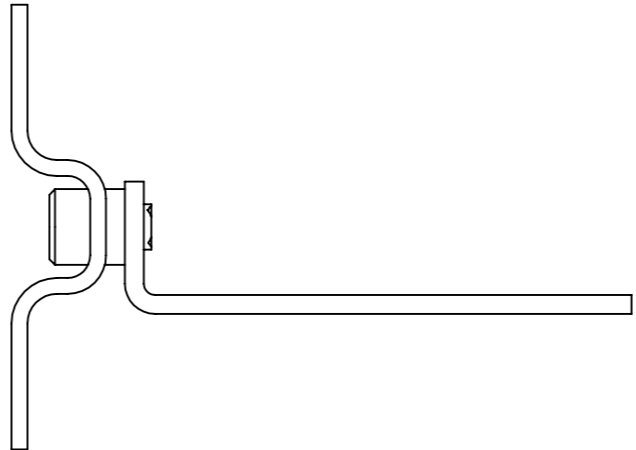
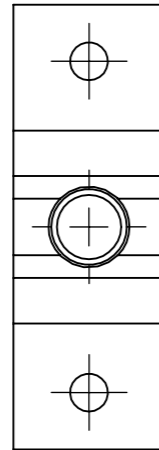


All property rights and rights to exploitation of copyright for this drawing data remain ours; they may not be made available to third parties without our consent.

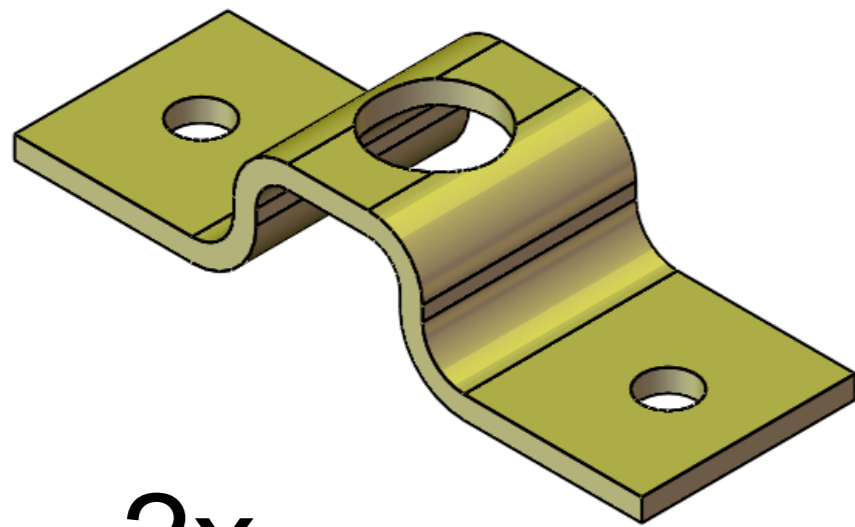
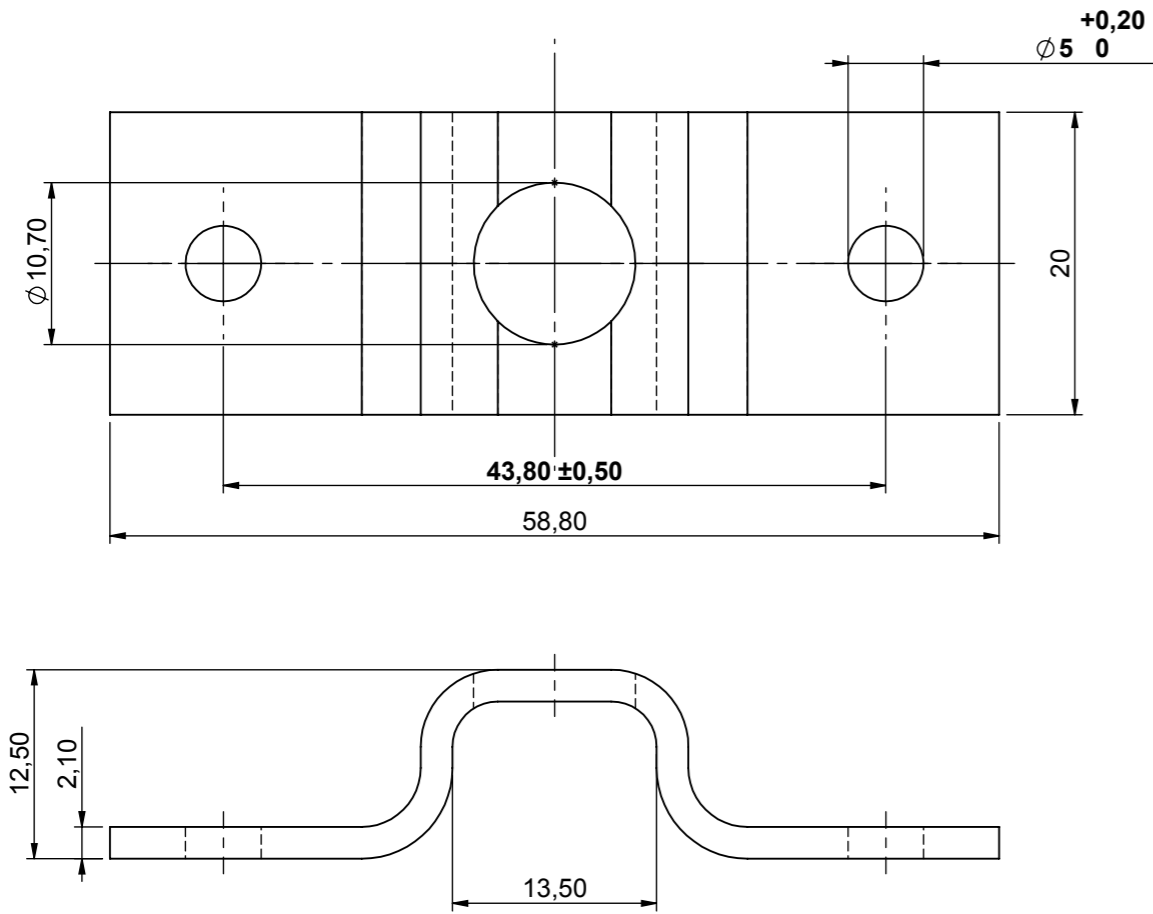


### STANDARD FOLDING-MECHANISM 4 Piece Set

POS.	Item.No	Artikelbezeichnung	Mengex2
1	15508	Befestigungslasche 10 mm	2
2	15210	Befestigungswinkel inkl. Lagerbolzen 10mm	2

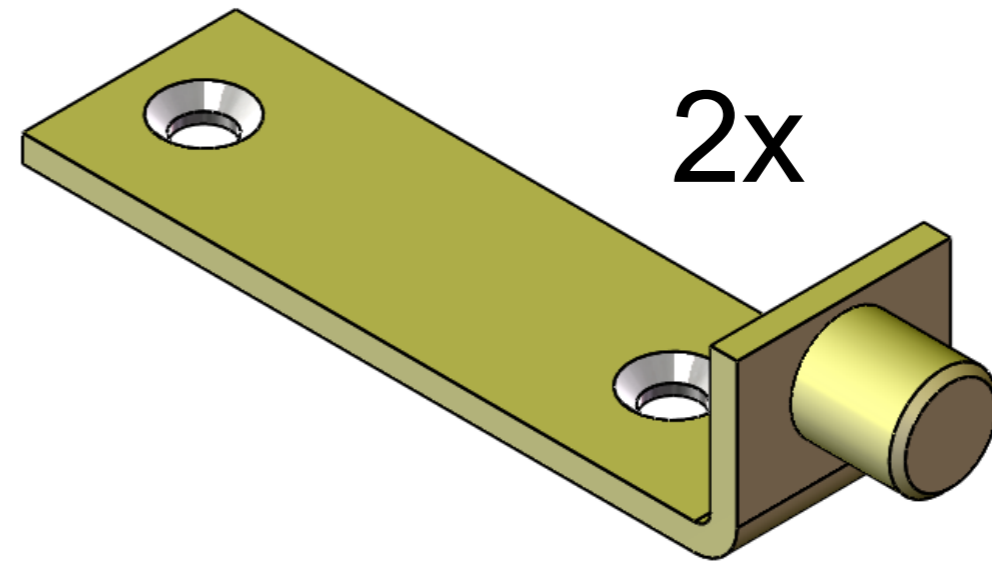
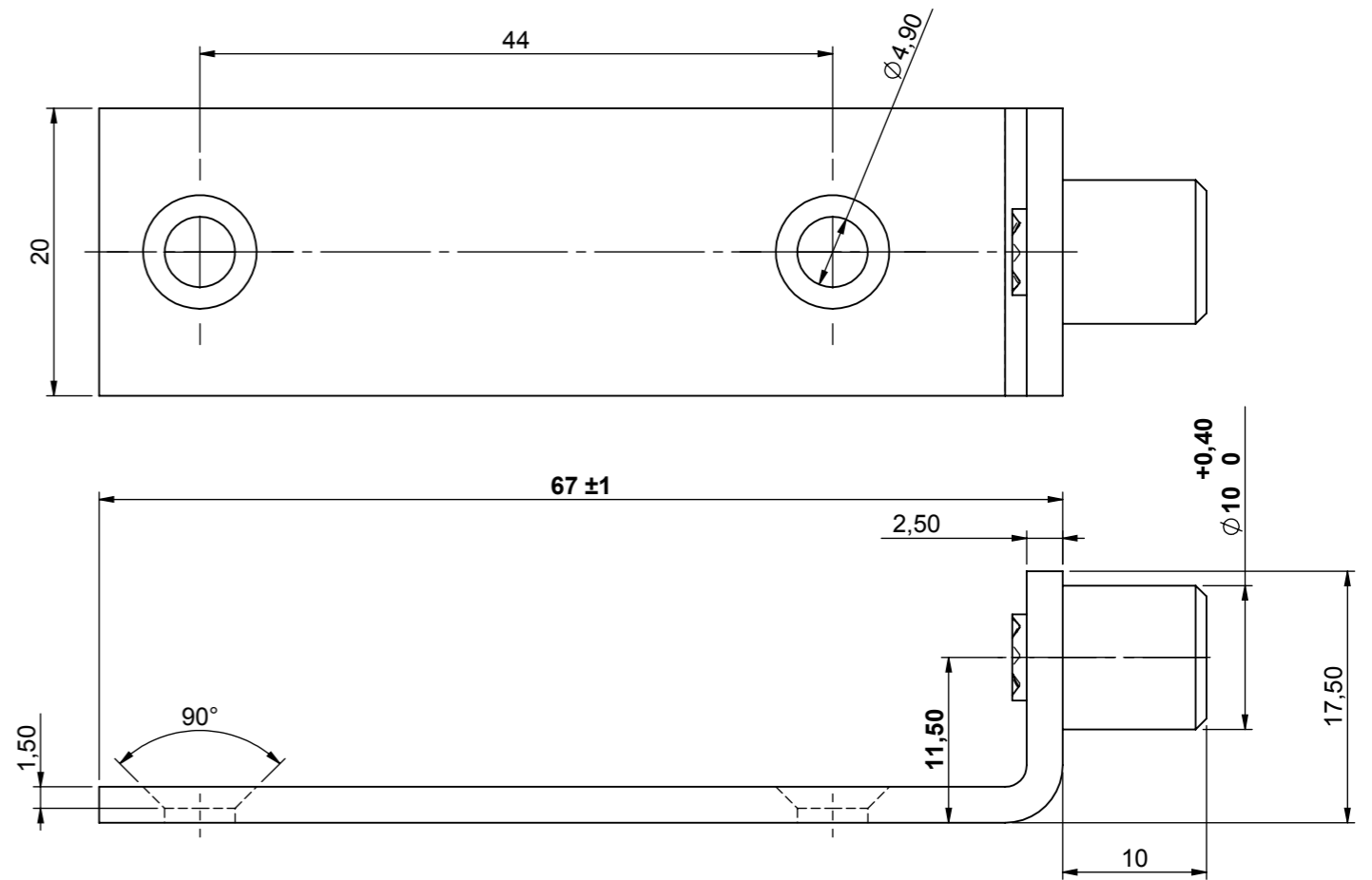
Index	Change		Date	Name
 DIN ISO 128-30	<b>Description:</b> Klappmechanik, 4-teilig			
	Surface:	Galvanized	Material:	S235JR
		Weight:	0.12	kg
	Name	Date	Company	
	Signed			
	Tested		Second Company:	
General tolerance: DIN ISO 2768 -1		Item No:	<b>15072</b>	Scale 1:1
		Page	1 / 2	<b>A3</b>

# Befestigungslasche 10 mm (15508)

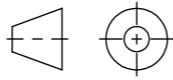



2x

# Gegenlager Klappmechanik/Plocica 10mm (15214)



2x

Index	Change			Date	Name
 DIN ISO 128-30	Description: Klappmechanik, 4-teilig				
	Surface: Galvanized	Material: S235JR	Weight: 21.62	kg	
	Name	Date	Company		
	Signed				
	Tested		Second Company:		
General tolerance: DIN ISO 2768 -1	Item No: 15072	Scale 2:1	Page 2/ 2	A3	

All property rights and rights to exploitation of copyright for this drawing data remain ours; they may not be made available to third parties without our consent.