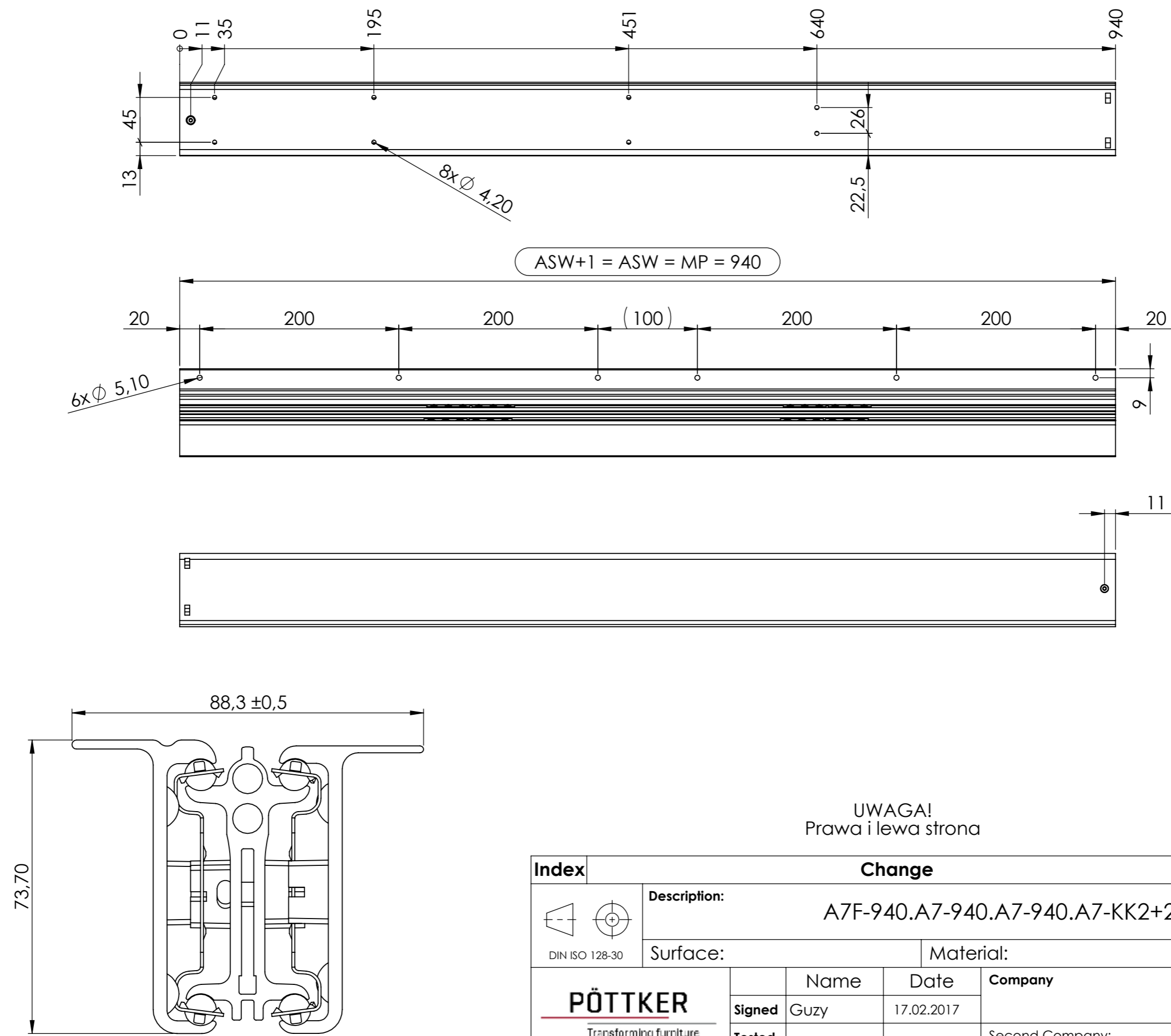
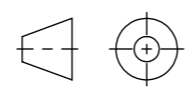



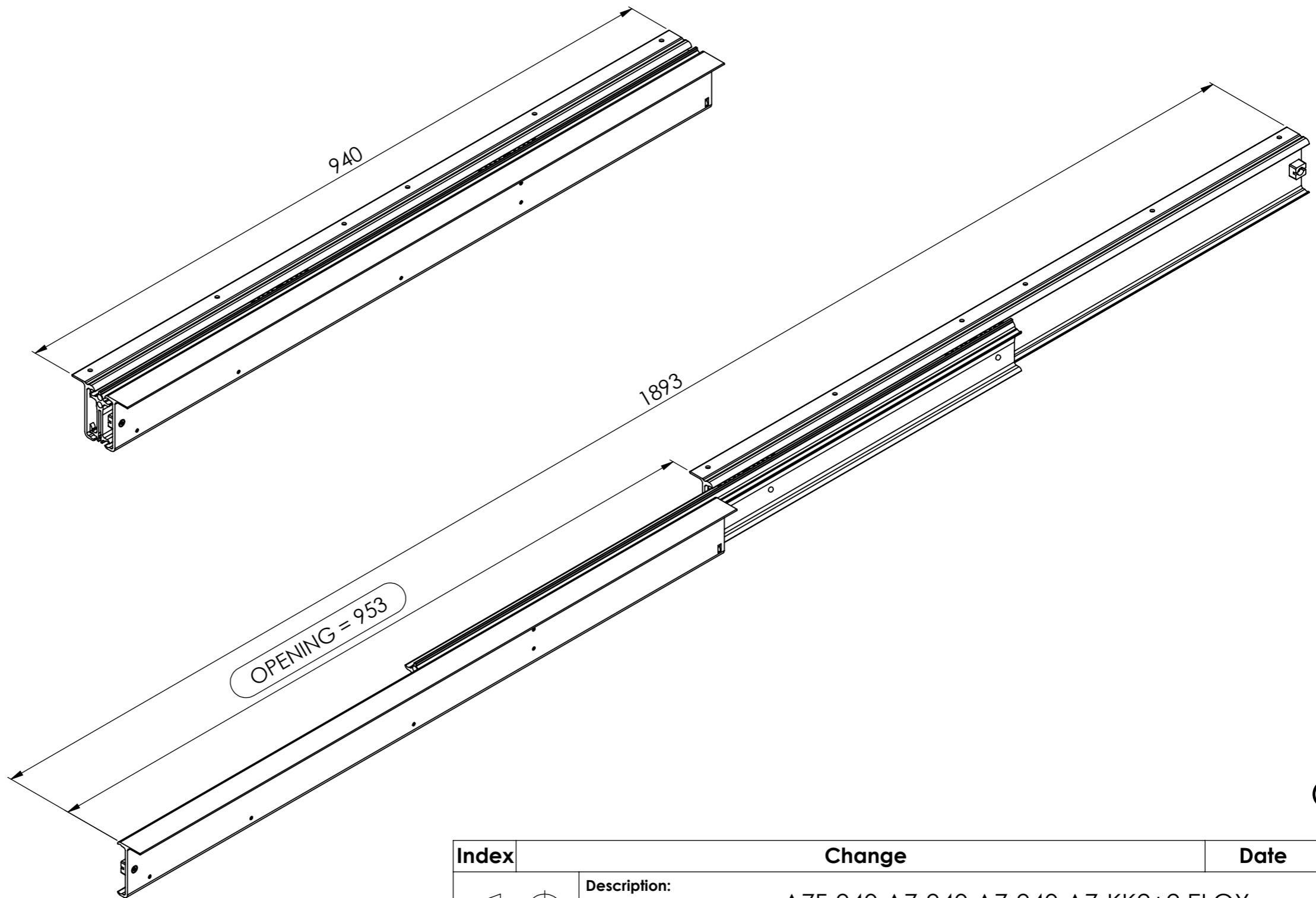
All property rights and rights to exploitation of copyright for this drawing data remain ours; they may not be made available to third parties without our consent.



UWAGA!
Prawa i lewa strona

Index	Change			Date	Name
 DIN ISO 128-30	Description: A7F-940.A7-940.A7-940.A7-KK2+2 ELOX				
	Surface:		Material:		Weight: kg
 PÖTTKER Transforming furniture	Name	Date	Company		
	Signed	Guzy	17.02.2017	DEMOS	
	Tested			Second Company:	
General tolerance: DIN ISO 2768 -1		Item No:	Scale	1:5	Page 1/4
					A3

CLOSE



OPEN

Index	Change			Date	Name
 DIN ISO 128-30	Description: A7F-940.A7-940.A7-940.A7-KK2+2 ELOX				
	Surface:		Material:		Weight: kg
 Transforming furniture	Name	Date	Company		
	Signed	Guzy	17.02.2017	DEMOS	
	Tested			Second Company:	
General tolerance: DIN ISO 2768 -1		Item No:		Scale 1:5	Page 2/4
					A3

All property rights and rights to exploitation of copyright for this drawing data remain ours; they may not be made available to third parties without our consent.