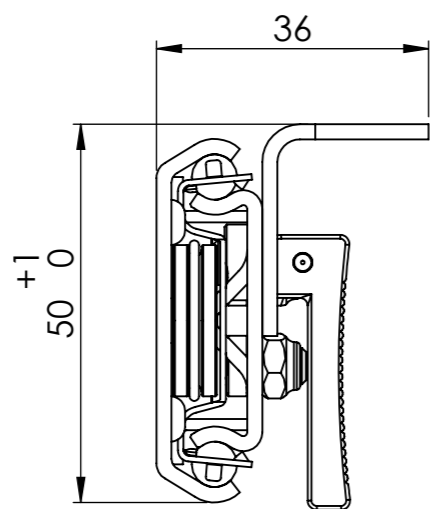
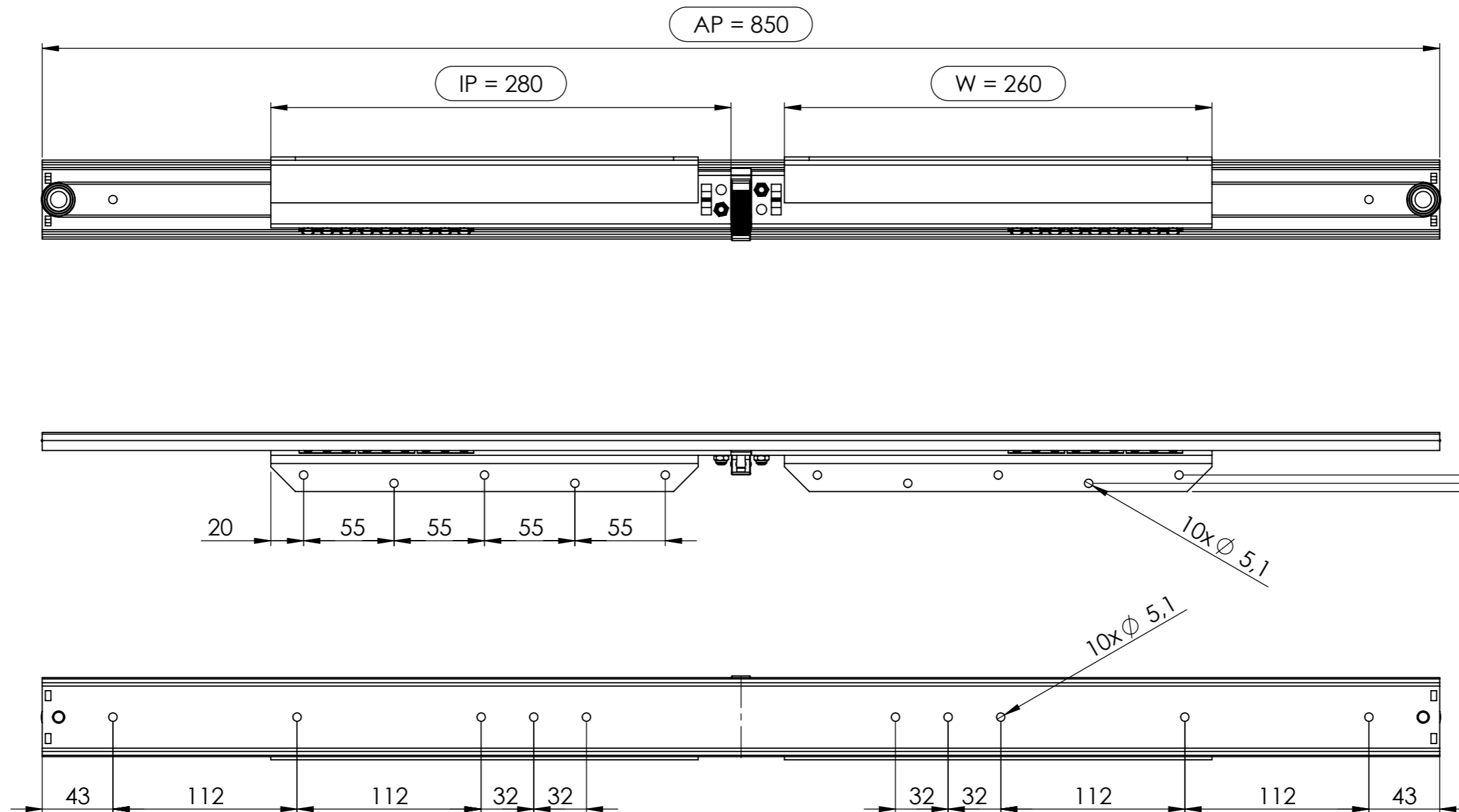
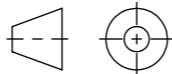



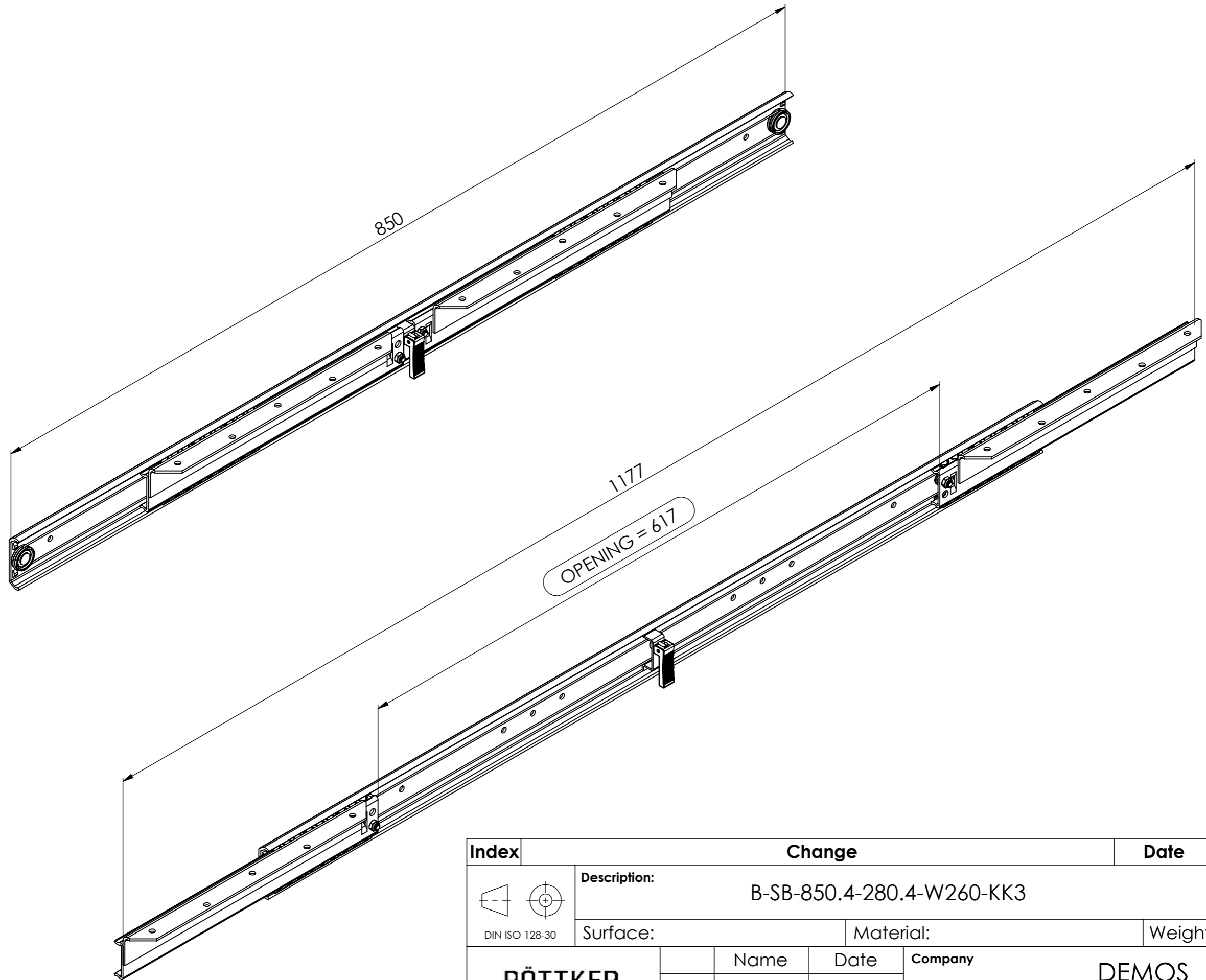
All property rights and rights to exploitation of copyright for this drawing data remain ours; they may not be made available to third parties without our consent.



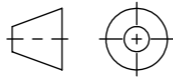

opening: ca. 605 mm

Index	Change			Date	Name
	Description: B-SB-850.4-280.4-W260-KK3				
DIN ISO 128-30	Surface:		Material:		Weight: kg
 Transforming furniture	Name	Date	Company		
	Signed	Guzy	31.05.2017	DEMOS	
	Tested			Second Company:	
General tolerance: DIN ISO 2768 -1		Item No:		Scale 1:3	Page 1/3
					A3

CLOSE



OPEN

Index	Change			Date	Name
 DIN ISO 128-30	Description: B-SB-850.4-280.4-W260-KK3				
	Surface:		Material:		Weight: kg
 Transforming furniture	Name	Date	Company		
	Signed	Guzy	31.05.2017	DEMOS	
	Tested			Second Company:	
General tolerance: DIN ISO 2768 -1		Item No:		Scale 1:3	Page 2/3
					A3

All property rights and rights to exploitation of copyright for this drawing data remain ours; they may not be made available to third parties without our consent.