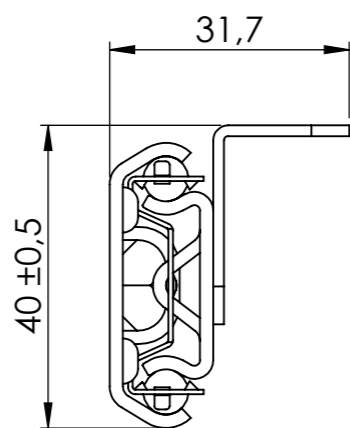
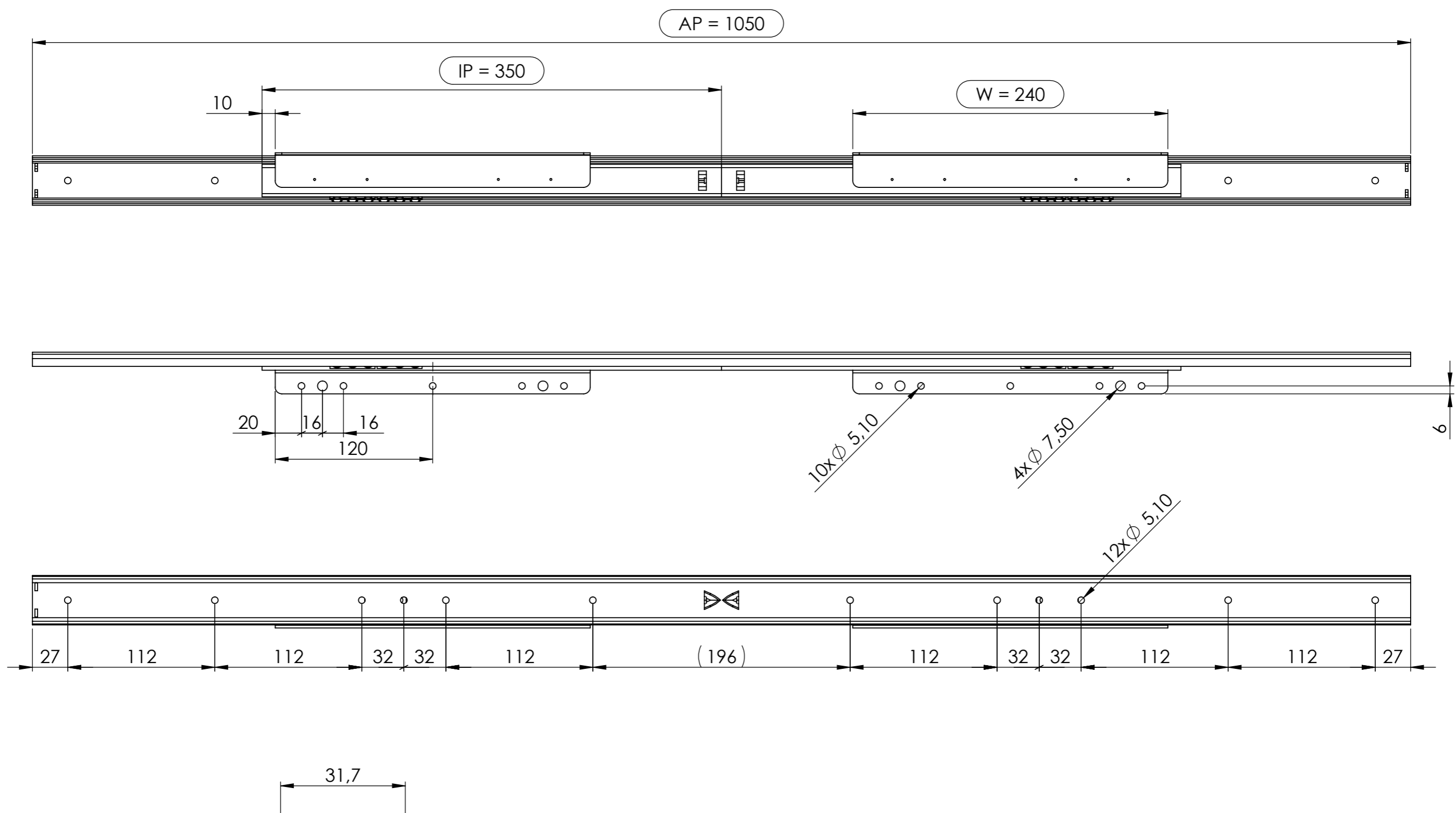
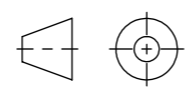



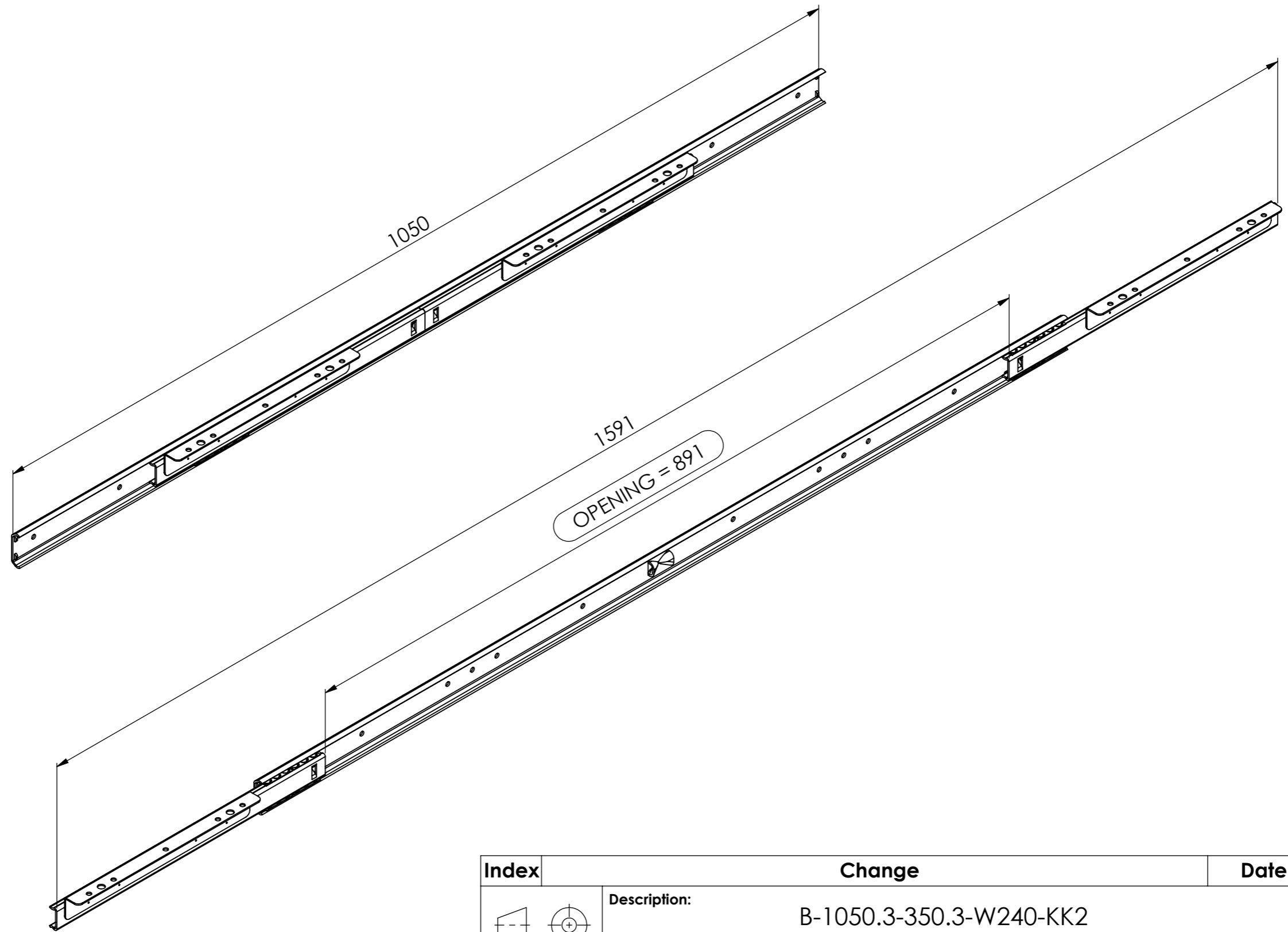
All property rights and rights to exploitation of copyright for this drawing data remain ours; they may not be made available to third parties without our consent.



opening: ca. 891 mm

Index	Change			Date	Name
 DIN ISO 128-30	Description: B-1050.3-350.3-W240-KK2				
	Surface:		Material:		Weight: kg
 PÖTTKER Transforming furniture	Name	Date	Company		
	Signed	Guzy	20.02.2017	DEMOS	
	Tested			Second Company:	
General tolerance: DIN ISO 2768 -1		Item No:	Scale	1:10	Page 1/3
					A3

CLOSE



OPEN

Index	Change			Date	Name	
 DIN ISO 128-30	Description:				kg	
	B-1050.3-350.3-W240-KK2					
Surface:		Material:		Weight:		
 Transforming furniture	Name	Date	Company			
	Signed	Guzy	20.02.2017	DEMOS		
	Tested			Second Company:		
General tolerance: DIN ISO 2768 -1		Item No:		Scale 1:1	Page 2/3	
					A3	

All property rights and rights to exploitation of copyright for this drawing data remain ours; they may not be made available to third parties without our consent.