



POKER

POKER is the new concept in wood shelf supports, to be slotted into the panel by making edge borings.

It allows to join together any side and shelf, including bottom and top, without using any further connecting fitting. The sleeve expands by inserting the provided pin, which improves the structural fastening of the panel to the sides of the furniture. The panel has to be pushed downwards onto the side brackets, which can be screwed into any position required.

The side bracket slots into the socket of the shelf supports and a click locks the panel in position.

By turning the mini fix placed inside the shelf support 90° anticlockwise from the bottom, the shelf and top panel collide with the sides, providing a structural fastening.

An optional through hole Ø 8 mm allows you to fix also the bottom panel from the top by turning the mini fix 90° anticlockwise.

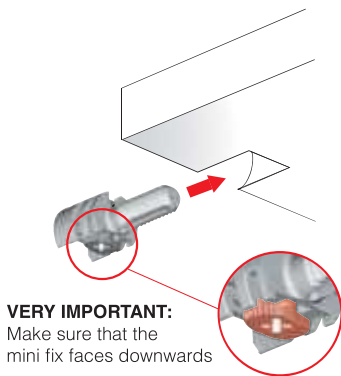
In accordance with the regulation: UNI EN 14749/05.



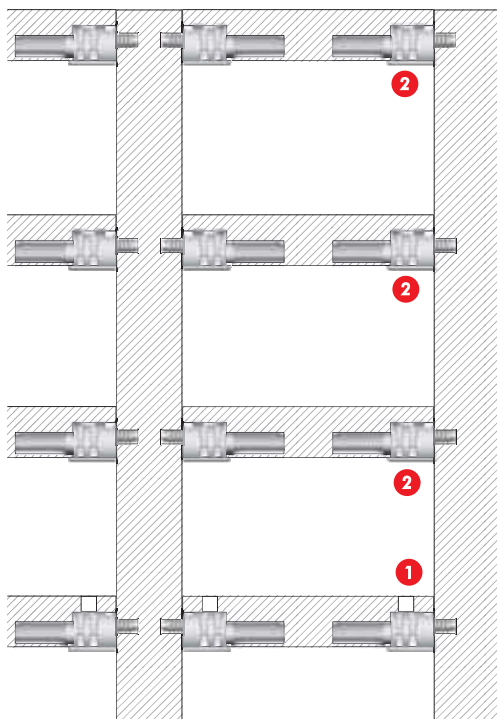
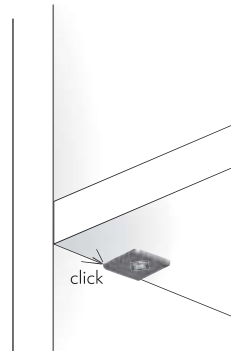
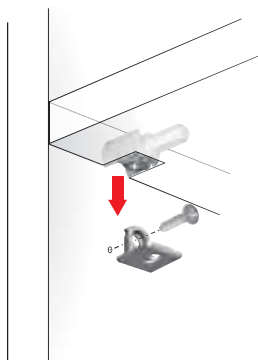
18 mm min

UNI EN 14749/05

INSTALLATION AND ASSEMBLING

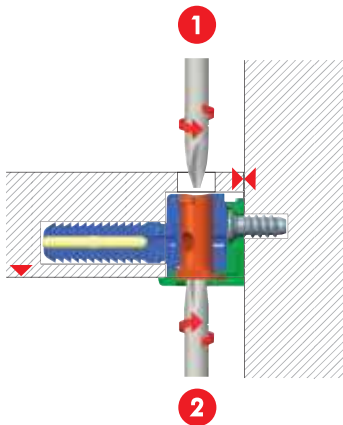


VERY IMPORTANT:
Make sure that the mini fix faces downwards



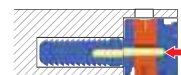
STRUCTURAL FASTENING WITH CROSS PH2 SCREWDRIVER:

90° turning from the upper side, for the furniture floor.

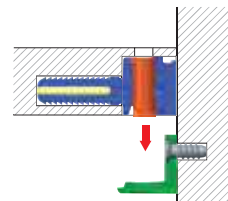


90° turning from the lower side, for the shelves and for the top.

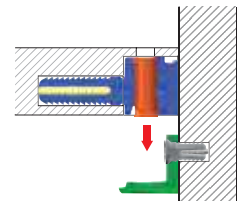
The sleeve expands by inserting the pre-mounted pin.



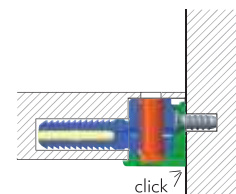
Assembling with alternative screw options.



Assembling with pre-inserted spreading bush and screw to avoid hole damaging for shelf repositioning.



LOCKING DETAIL:



After turning the minifix.

