



SuperDot

Advantages

- ▶ Powerful LED spotlight
- ▶ Accentuation by small beam angle

Features

- ▶ Powerful LED spotlight
- ▶ Swivelling

Examples of use

- ▶ Shelves
- ▶ Display cabinets

Ordering information

- ▶ To find the right combination of light and ballast, please note pictograms in the light catalogue!
- ▶ Sales unit: 1

Technical details in brief



Lamp type:	LED recessed light
Type of lighting:	Functional / accent lighting
Surface finish:	Aluminium look
Operating voltage:	12 V DC
Light colour:	Warm white / neutral white
Colour rendering index CRI:	> 80
Energy efficiency:	A++ 92 lm/W
Life span:	30,000 h (L70)
Power consumption:	1.2 W
Dimmable:	Yes
Beam angle:	25°
Test marks and symbols:	CE ◊ ▽ ▽
Protection rating:	IP 20
Installed diameter:	68 mm
Supply lead:	1800 mm
Plug connection:	LED mini M1 plug connection
Connection to:	LED ballast

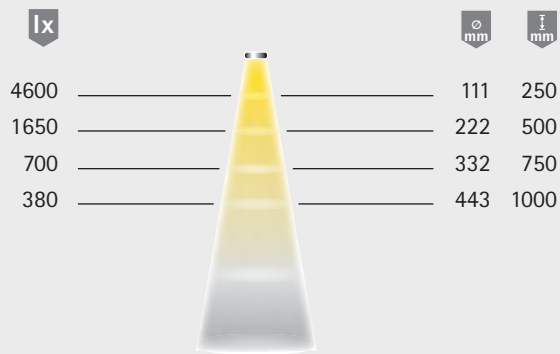
StarPoint

Article	Order no.	Order no.
	Warm white	Neutral white
Aluminium look	32 149 16	32 149 06

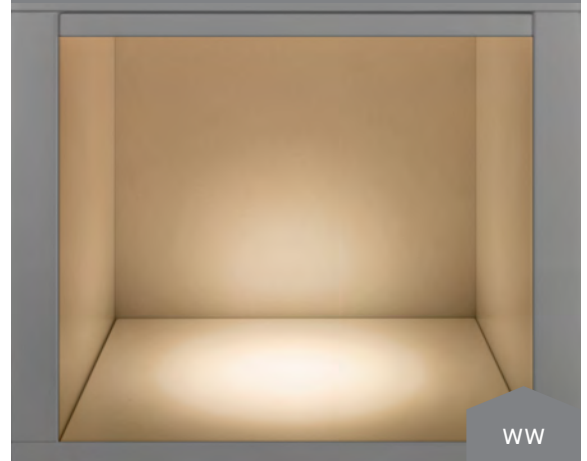
Accessories (for more accessories, see chapters "Switch systems" and "Ballasts & leads")

Article	Order no.
LED ballast 20 W with flat Euro plug	31 016 01
M1 extension lead 1800 mm	36 768 01
M1 3-way distributor 180 mm	36 852 01
M1 6-way distributor 2000 mm	36 125 01

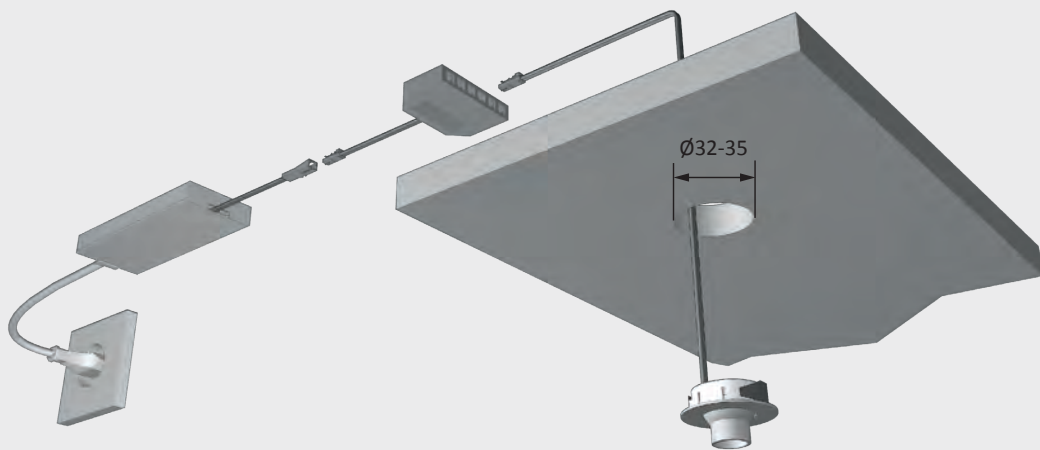
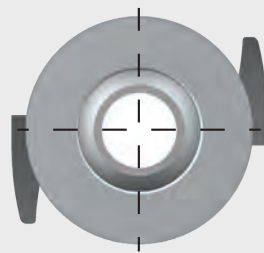
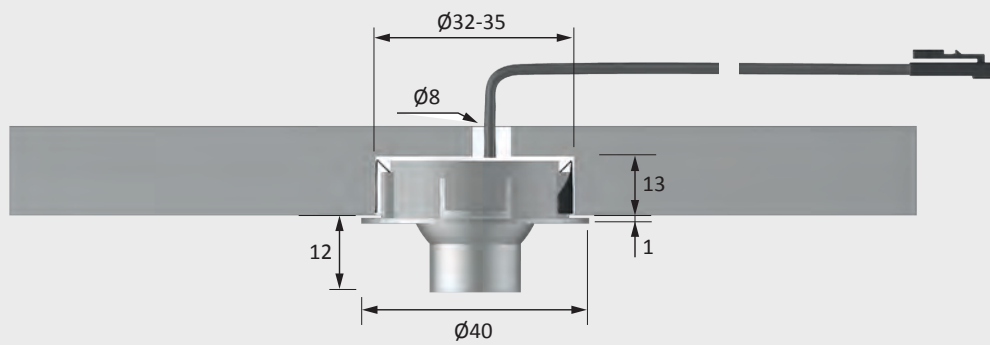
Light distribution diagram / 25°



Light box



Dimensional drawing / installation



Spotlights