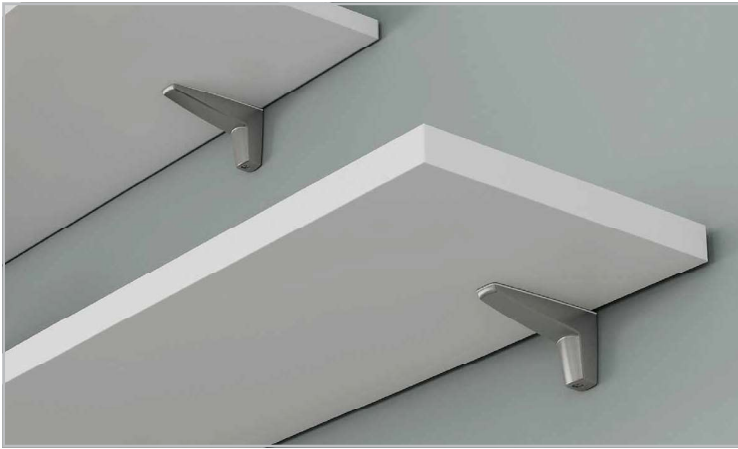


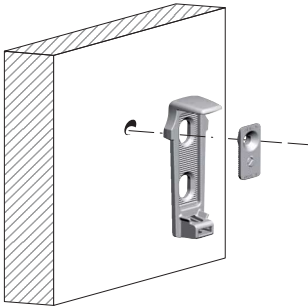
## MOON



15-50 mm

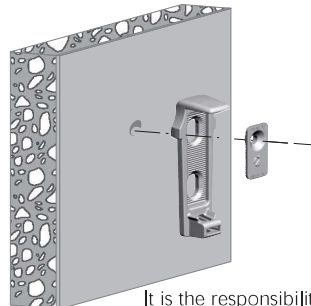
50 kg for pair for shelf 320 mm deep

### WOOD PANEL



Recommended fixing countersunk screw type - head  $\varnothing$  4 mm max.

### SOLID AND PLASTERBOARD WALLS

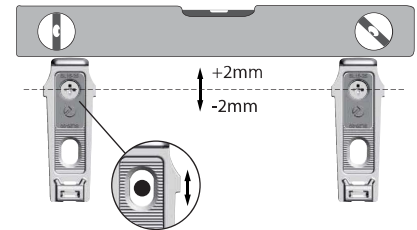


It is the responsibility of the customer:

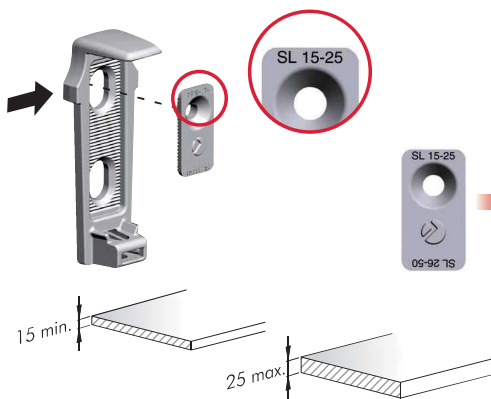
- to ensure that the wall is of a suitable quality to hold the shelf fixing in place.
- to use the proper hardware fittings according to the construction of the wall.

For more specific information, please refer to the WARNINGS section at the end of the catalogue.

### BRACKET ALIGNMENT

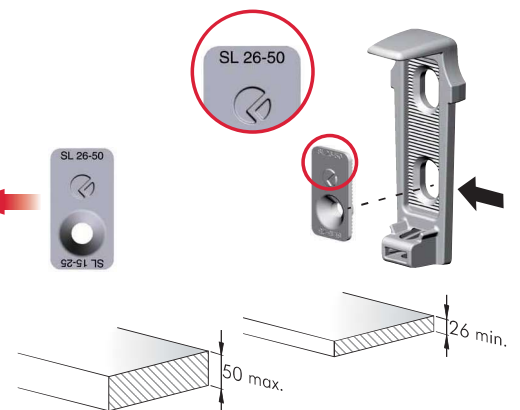


### For shelves 15 - 25 mm thick:

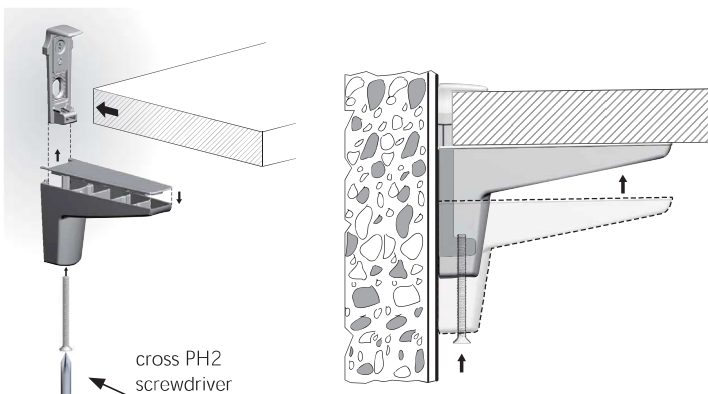


Place the plate in the correct position, according to shelf thickness.

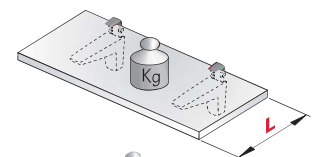
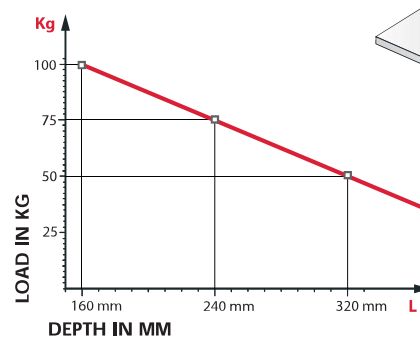
### For shelves 26 - 50 mm thick:



### SHELF LOCKING



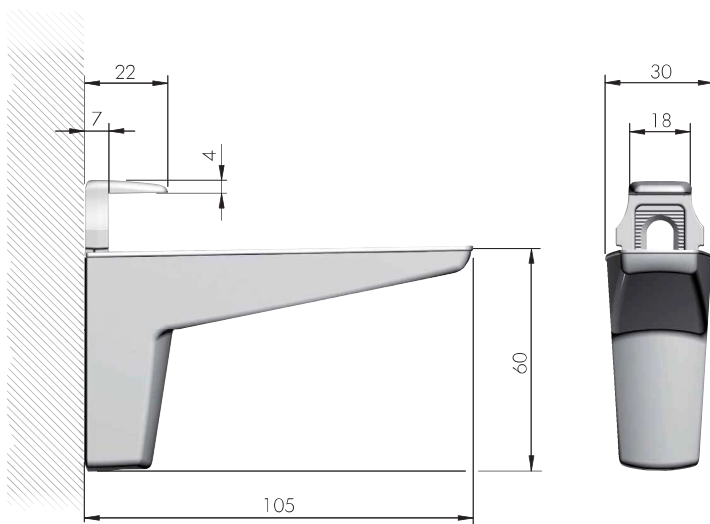
### COMBINATION SHELF LOAD AND SHELF DEPTH (The figures refer to one pair of shelf supports)



+ shelf weight = 50 kg  
MAX for each pair of  
shelf supports



POSITION OF THE RIDGE PLATE FOR SHELVES WITH 15 - 25 mm AND 26 - 50 mm THICKNESS



	= PH2	
		= 24 pairs
<b>16226010UZ</b>		
<b>16226010EC</b>		
<b>16226010KB</b>		

NOTE: MOON is supplied in carton box including 2 pieces, accessories and fitting guide. Fixing screws to wall not included.

