

KAIMAN

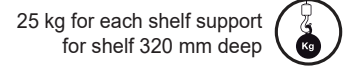
KAIMAN is a combined wall bracket and shelf support for glass shelf 7 to 19 mm thick and wood shelf 18 to 41 mm thick.

It can be fixed:

- to cement wall with rawplug Ø8 mm and pan head screw Ø5x50 mm.
- to plaster board with umbrella fitting Ø8 mm & pan head screw M4x46 mm.
- to wood panels 18 mm thick with special designed spreading dowel and M6 bolt.

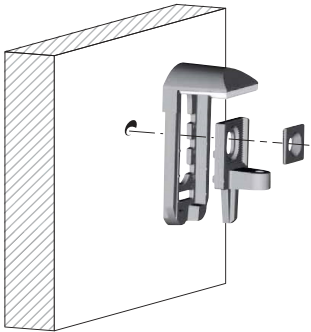
It provides also useful fixing method for aligning wall brackets and easy shelf inclination adjustment as required.

KAIMAN is capable of supporting a 25 Kg load each (shelf weight included), for a shelf 320 mm deep.



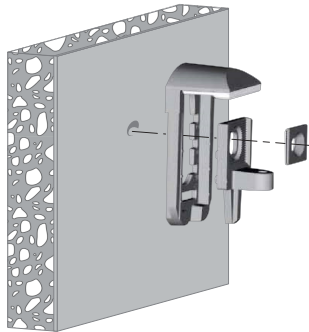
INSTALLATION AND ADJUSTMENTS

WOOD PANEL

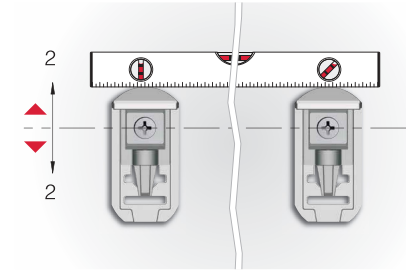


Recommended fixing countersunk screw type - head Ø 5 mm max.

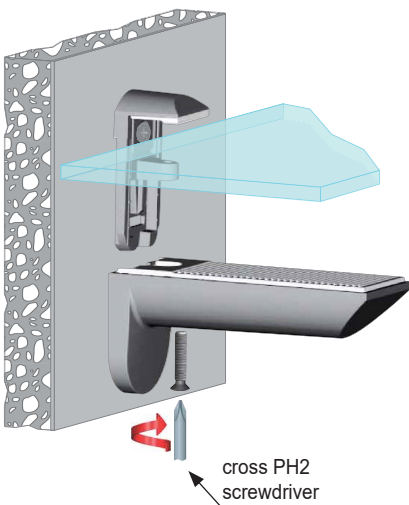
SOLID AND PLASTERBOARD WALLS



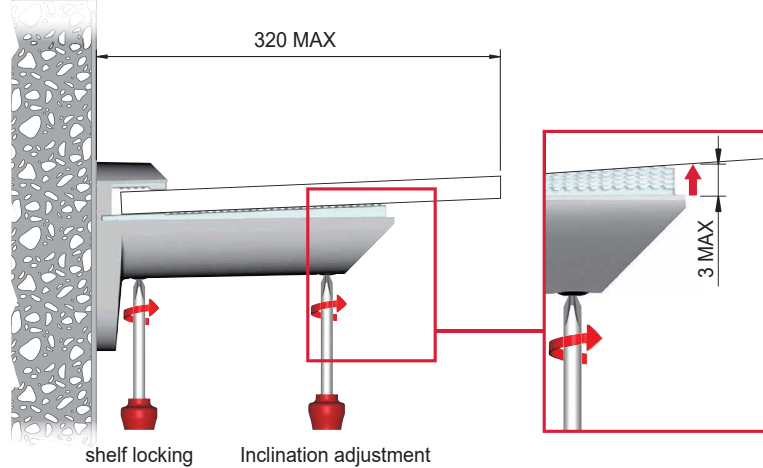
BRACKET ALIGNMENT



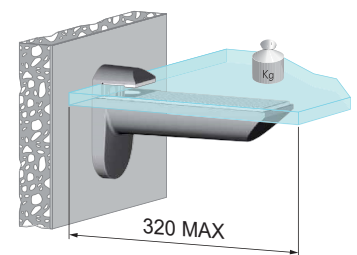
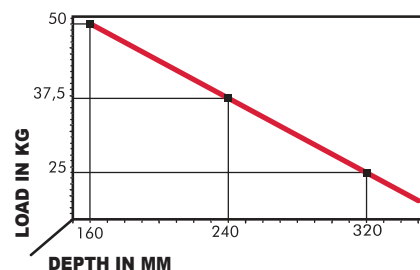
SHELF LOCKING AND INCLINATION ADJUSTMENT



It is the responsibility of the customer:
 - to ensure that the wall is of a suitable quality to hold the shelf fixing in place.
 - to use the proper hardware fittings according to the construction of the wall.
 For more specific information, please refer to the WARNINGS section at the end of the catalogue.



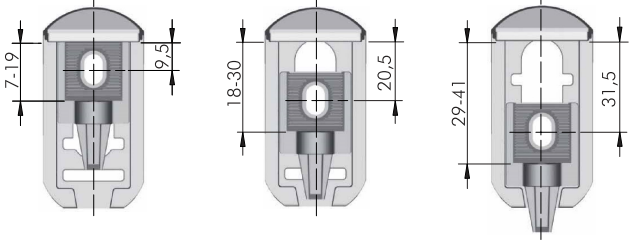
COMBINATION SHELF LOAD AND SHELF DEPTH
(The figures refer to 1 shelf support)



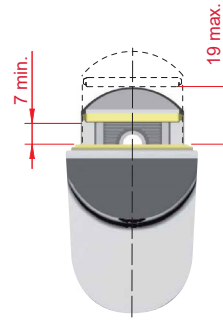
+ shelf weight = 25 kg MAX for each shelf support



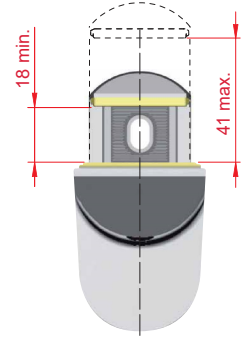
POSITION OF THE RIDGE PLATE



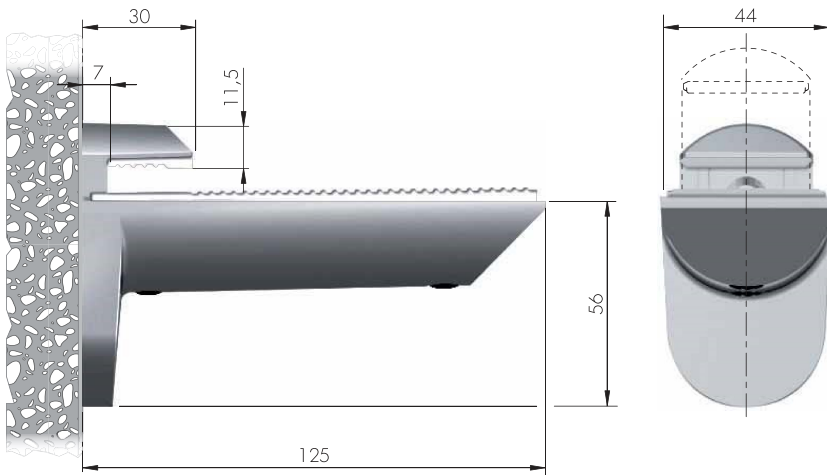
Glass shelves



Wood and honeycomb shelves



Shelf is clamped between a layer of ridged plastic on both the lower and upper side (coloured parts).



	= PH2	
	EPwg	
		= 10 pairs
16102020JL		
16102020YD		
16102020KB		
16102020ZQ		

NOTE: KAIMAN is supplied in carton box including 2 pieces, accessories and fitting guide. Countersunk fixing screws Ø 5x50 and rawlplugs Fischer SX Ø 8x40 to wall are included.

