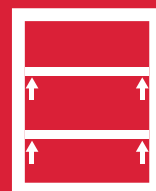


FLIPPER



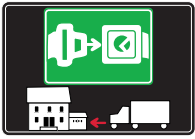
SHELF
SUPPORTS





SYMBOLS AND FINISHES LEGEND

SYMBOLS



= SHELF SAFELY LOCKED DURING TRANSPORTATION AND AT HOME.



= ANTI-TURNOVER LOCKING SYSTEM



= NORMS / PATENTS



= PHILLIPS / POZIDRIV



= NEWTON



= PART.NO



= HEXAGONAL SOCKET



= FRICTION



= PCS. PER PACKAGE



= BLADE SLOT



= AUTOMATIC



= COMBI SLOT



= DROP DOWN



= CAPACITY LOADING



= COUNTERSUNK HEAD



= WOOD / GLASS THICKNESS



= PAN HEAD



= STANDARD HINGE



= HOLE DIAMETER



= FLANGE HEAD



= KIMANA HINGE



= DIAMETER



= FLAT HEAD



= FLAP HINGE



= LENGTH



= TRILOBULAR SCREW



= WITH SPRING



= HEIGHT



= SELF-TAPPING SCREW



= WITHOUT SPRING



= RIGHT VERSION



= EURO THREAD



= REVERSED SPRING



= LEFT VERSION



= METRIC THREAD



= PRE-INSERTED SCREW



= FOR ROUND TUBE



= PCS. PER PAD



= PRE-INSERTED SCREW AND SPREADING BUSH



= FOR OVAL TUBE



= CUT ON REQUEST



= WITH BUFFER



= SELF ADHESIVE



= WITH MAGNET



= WITH FLANGE

MATERIALS

ZA = Zinc Alloy	ST = Steel	HSS = High Speed Steel	BR = Brass	ABS = Acrylonitrile Butadiene Styrene
ZAnk = Nickel-plated Zinc Alloy	STzk = Zinc-plated Steel	AL = Aluminium	WD = Wood	EVA = Ethylene Vinyl Acetate

EP = **ENGINEERING PLASTIC**


+ **EP** = other engineering plastic available on request

SR = **SOFT RUBBER**

+ **SR** = other soft rubber available on request

EPn = Natural Engineering Plastic	EPc = Clear Engineering Plastic	SRn = Natural Soft Rubber
EPw = White Engineering Plastic	EPg = Grey Engineering Plastic	SRw = White Soft Rubber
EPwg = Water Green Engineering Plastic		SRb = Black Soft Rubber

FINISHES

+  = OTHER FINISHES AVAILABLE ON REQUEST

PART. NO	FINISHES	PART. NO	FINISHES	PART. NO	FINISHES
AA	Natural	JB	Bright Aluminium	PZ	Beech
AB	White	JC	Aluminium - Chrome	QA	Maple
AC	Opal White	JD	Matt Aluminium	QB	Walnut
AE	White 9010	JE	Satin-finished Aluminium	WA	Bronzed
AK	Champagne	JF	Aluminium - Brass	WI	Burnished
AL	Ivory	JG	Aluminium 5	XD	Satin-finished Steel
EA	Black	JL	Aluminium PE 11	YA	Nickel-plated
EB	Glossy Black	JM	Aluminium RAL 9006	YB	Bright Nickel-plated
EC	Matt Black	KA	Chrome	YC	Matt Nickel-plated
GR	Raw	KB	Bright Chrome	YD	Satin-finished Nickel-plated
HA	Brass-Plated	KC	Matt Chrome	ZA	Zinc alloy
HH	Tropicalized	MA	Brown	ZN	Zinc-plated
HL	Raw Brass	MB	Light Brown 1	ZQ	Bright Gold
IA	Grey	NN	Metallic Beige	ZY	Titanium
IB	Metallic Grey	NO	Beige	ZZ	Clear
IF	Middle Grey	OA	Oak	00	Insignificant finish
IJ	Light Grey	OZ	Ash		
IL	Grey 20	PA	Light Ash		
JA	Aluminium	PY	Cherry		



FLIPPER

FLIPPER is the wood shelf support slotted into the shelf by making face borings. The shelf has to be pushed downwards onto the side dowels, which can be placed or screwed into any position required. The side dowels slot into the socket of the shelf supports and a click locks the shelf in position. To provide a structural fastening to the furniture screwed side dowels are required, so that the shelf flushes with the sides, due to the angled shape of the shelf support sockets.

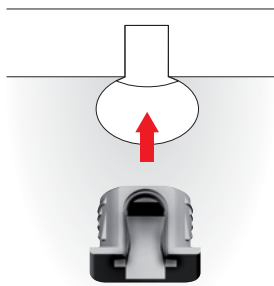
In accordance with the regulation: UNI EN 14749/05.



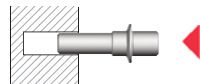
12 mm min.

UNI EN 14749/05

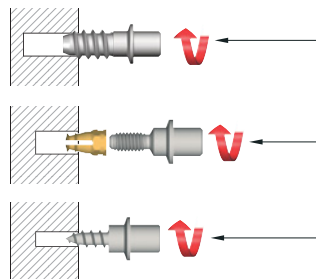
INSTALLATION



Assembling with smooth pin

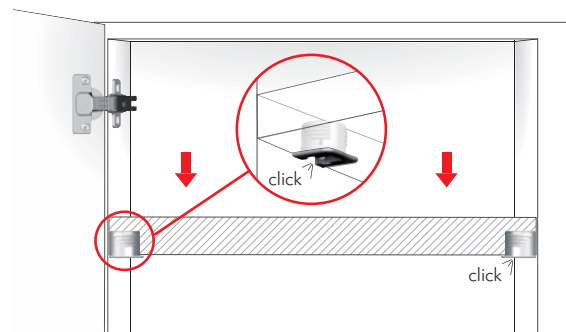
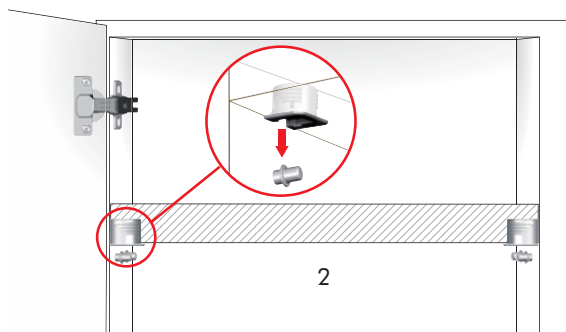
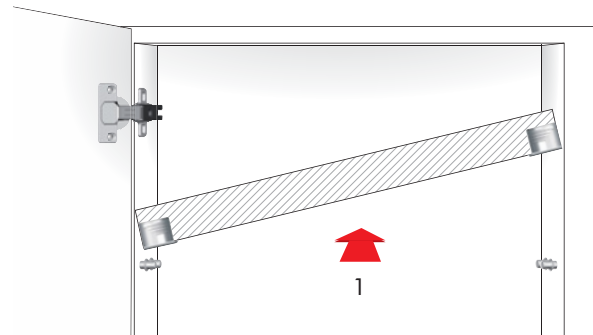


Assembling with threaded pin to achieve horizontal connection

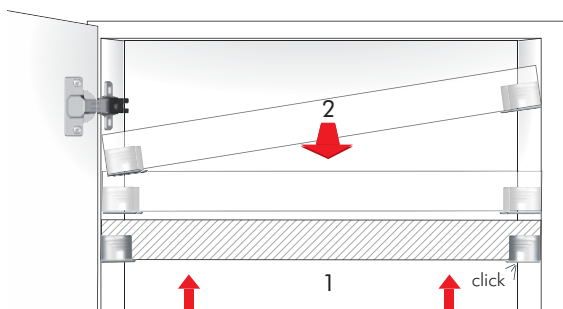


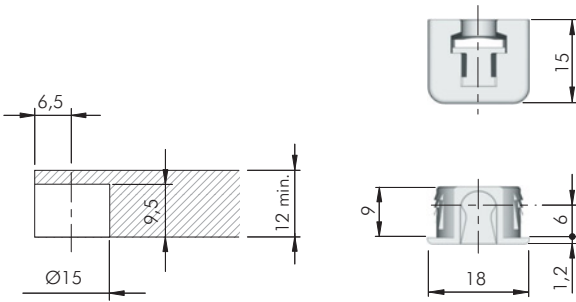
cross PZ2 screwdriver



SHELF INSTALLATION






SHELF REMOVAL FOR NEW REPOSITIONING

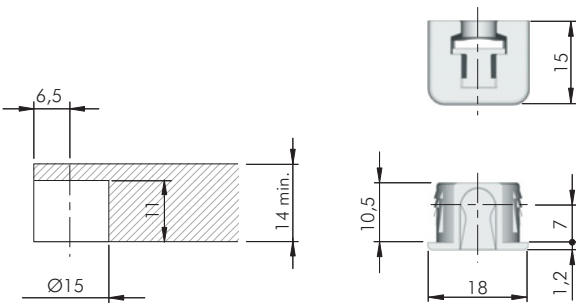




 = 12 mm + 



EP  = 10.000 pcs.

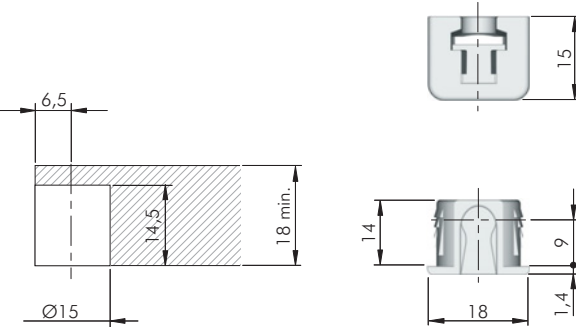
 
10601010AB
10601010JG



 = 14 mm + 

EP  = 10.000 pcs.

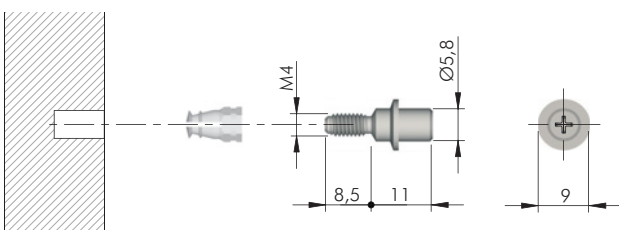
 
10601020AB
10601020JG





 = 18 mm + 


EP  = 8000 pcs.

 
10601030AB
10601030JG

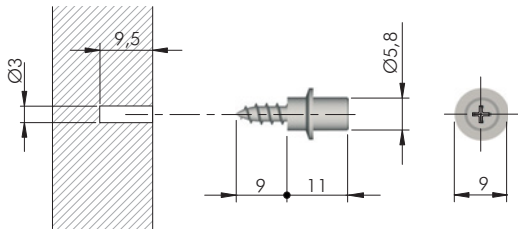


 = M4

 = PZ2

ST  = 5000 pcs.

 
10602010ZN



= Ø 3 mm

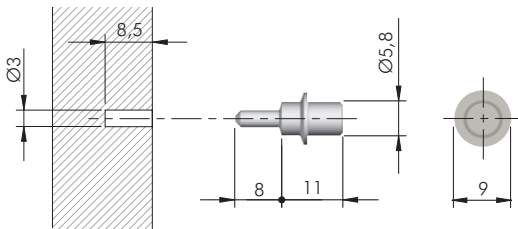
= PZ2

ST

= 6000 pcs.



10603010ZN



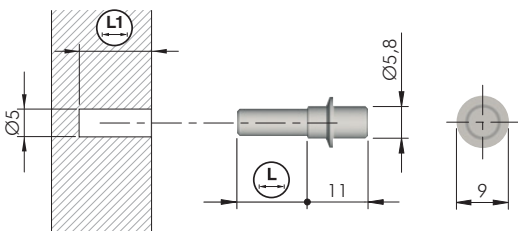
= Ø 3 mm

ST

= 5000 pcs.



10605030ZN



= Ø 5 mm

ST



10605020ZN



12,5



13



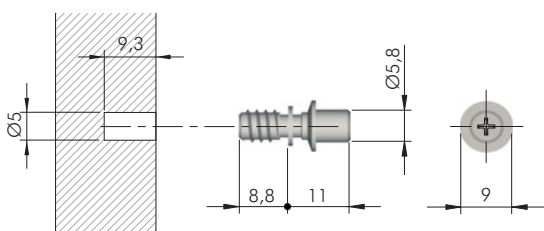
3500

10605010ZN

8,5

9

3000



= Ø 5 mm

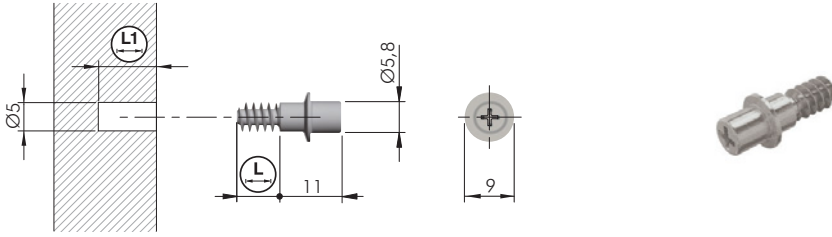
= PZ2

ST

= 2500 pcs.



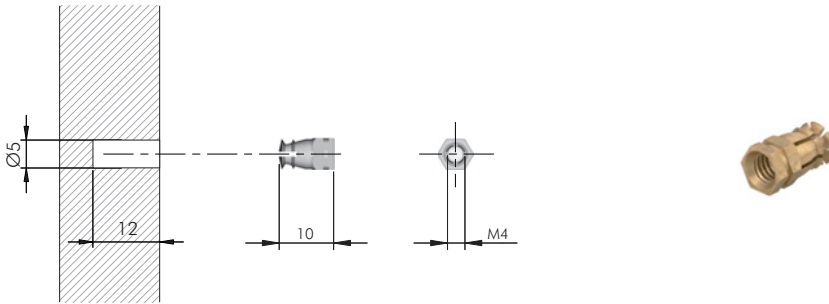
10604010ZN



Note: Special threaded pin to avoid hole damging for shelf repositioning.

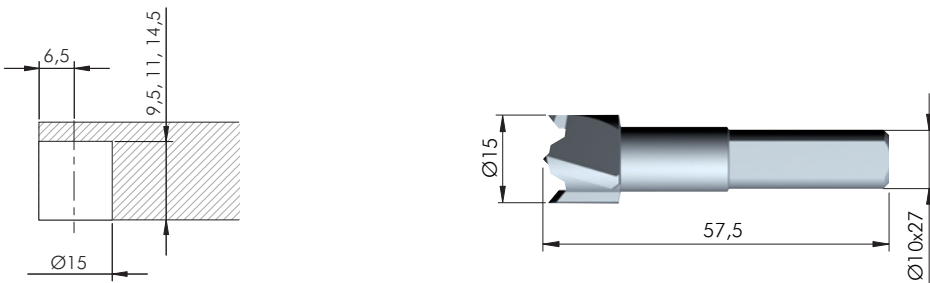
= Ø 5 mm		
= PZ2		
ST	= 2500 pcs.	
123	L	L1
10606020ZN	7,7	10,2
10606010ZN	9,7	8,2

FLIPPER FIXING ACCESSORY

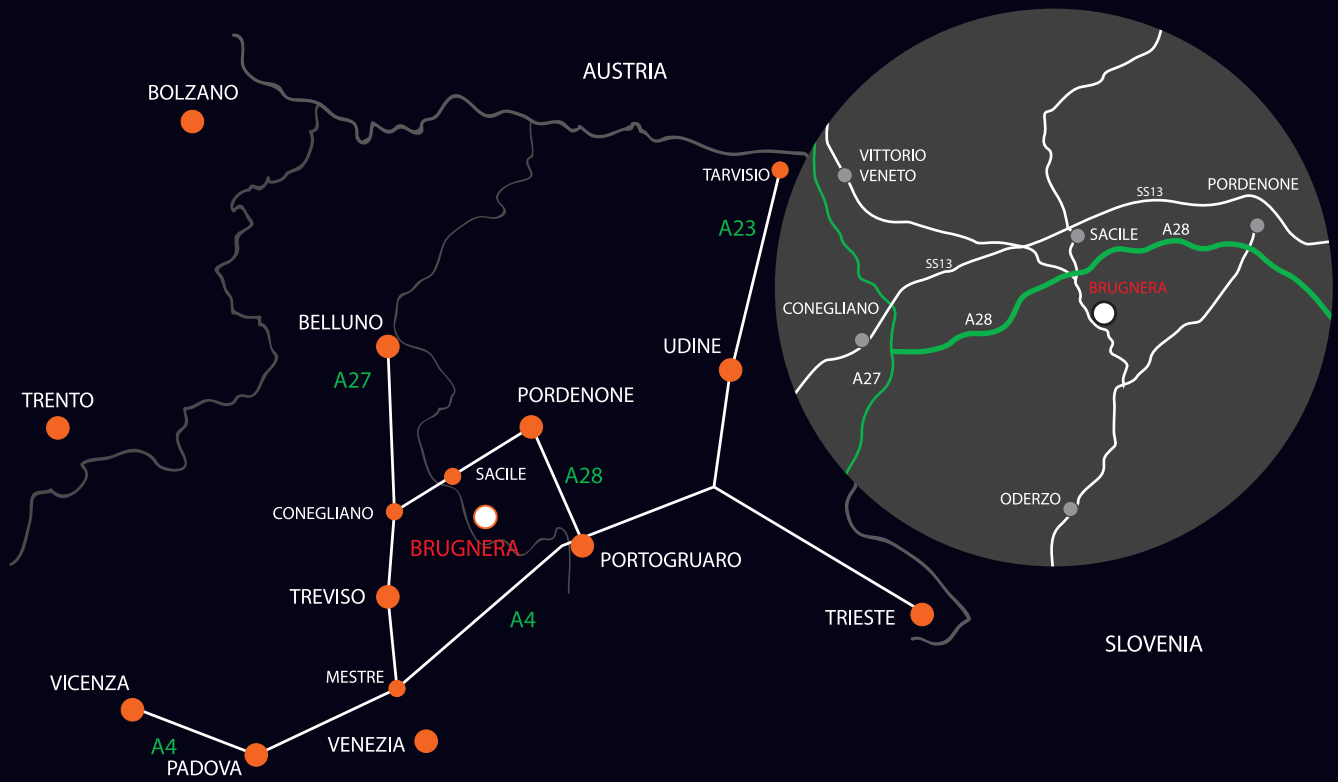


= Ø 5 mm		
= M4		
BR	= 20.000 pcs.	
123		
20502021HL		

DRILL BIT FOR FLIPPER 12, 14, 18 mm



HSS	= on request	
123		
1065201000		



www.italianaferramenta.com