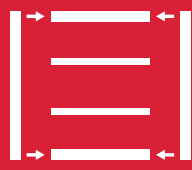




Insert Nuts



CONNECTINGS



SYMBOLS AND FINISHES LEGEND

SYMBOLS



= SHELF SAFELY LOCKED DURING TRANSPORTATION AND AT HOME.



= ANTI-TURNOVER LOCKING SYSTEM



= NORMS / PATENTS



= PHILLIPS / POZIDRIV



= WITH BUFFER



= PART NO.



= BLADE SLOT



= WITH MAGNET



= PCS. PER PACKAGE



= COMBI SLOT



= HEXAGONAL SOCKET



= NEWTON



= CAPACITY LOADING



= HEXALOBULAR SOCKET



= FRICTION



= WOOD / GLASS THICKNESS



= COUNTERSUNK HEAD



= AUTOMATIC



= HOLE DIAMETER



= PAN HEAD



= DROP DOWN



= DIAMETER



= FLANGE HEAD



= LENGTH



= FLAT HEAD



= STANDARD HINGE



= HEIGHT



= TRILOBULAR SCREW



= KIMANA HINGE



= RIGHT VERSION



= SELF-TAPPING SCREW



= FLAP HINGE



= LEFT VERSION



= EURO THREAD



= WITH SPRING



= SETTING CODE



= METRIC THREAD



= WITHOUT SPRING



= PCS. PER PAD



= PRE-INSERTED SCREW



= REVERSED SPRING



= CUT ON REQUEST



= PRE-INSERTED SCREW AND SPREADING BUSH



= SELF ADHESIVE



= WITH FLANGE

NOTE: Printing errors and omissions may exist despite our best efforts to ensure accuracy. We reserve the right to alter specifications without notice.

MATERIALS

ZA = Zinc Alloy

ST = Steel

HSS = High Speed Steel

BR = Brass

ABS = Acrylonitrile Butadiene Styrene

ZAnk = Nickel-plated Zinc Alloy

STzk = Zinc-plated Steel

AL = Aluminium

WD = Wood

EVA = Ethylene Vinyl Acetate

EP = **ENGINEERING PLASTIC**

+ **EP** = other engineering plastic available on request

SR = **SOFT RUBBER**

+ **SR** = other soft rubber available on request

EPn = Natural Engineering Plastic

EPc = Clear Engineering Plastic

SRn = Natural Soft Rubber

EPw = White Engineering Plastic

EPg = Grey Engineering Plastic

SRw = White Soft Rubber

EPwg = Water Green Engineering Plastic

SRb = Black Soft Rubber



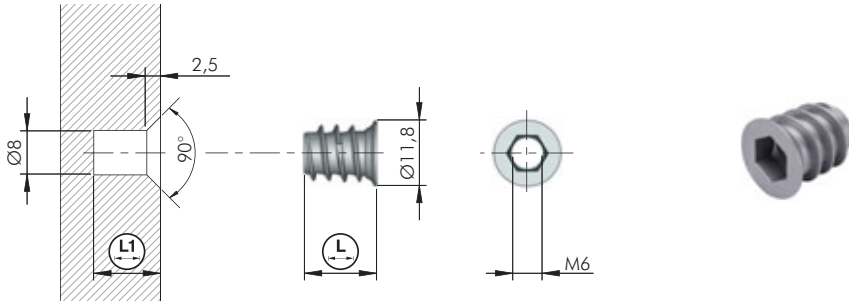
FINISHES



= OTHER FINISHES AVAILABLE ON REQUEST

PART NO.	FINISHES	PART NO.	FINISHES	PART NO.	FINISHES
00	Insignificant finish	IF	Middle Grey	UT	T-Met 9007
AA	Natural	IJ	Light Grey	UZ	T-Met
AB	White	IL	Grey 20	WA	Bronzed
AE	White 9010	IN	Grey met. 26	WI	Burnished
EA	Black	JB	Bright Aluminium	XD	Satin-finished Steel
EC	Matt Black	JC	Aluminium - Chrome	YA	Nickel-plated
EE	Anthracite	JD	Matt Aluminium	YB	Bright Nickel-plated
EW	Grey 9007	JE	Satin-finished Aluminium	YC	Matt Nickel-plated
FU	Gunmetal	JF	Aluminium - Brass	YD	Satin-finished Nickel-plated
FV	Gunmetal V52	JG	Aluminium 5	YQ	Black Nickel
GR	Raw	JL	Aluminium PE 11	Z9	Black Zinc
HA	Brass-Plated	JM	Aluminium RAL 9006	ZA	Zinc alloy
HH	Tropicalized	KA	Chrome	ZN	Zinc-plated
HL	Raw Brass	KB	Bright Chrome	ZQ	Bright Gold
HX	Graphite	KC	Matt Chrome	ZY	Titanium
IA	Grey	NN	Metallic Beige	ZZ	Clear
IB	Metallic Grey	RO	Red		

INSERT NUTS

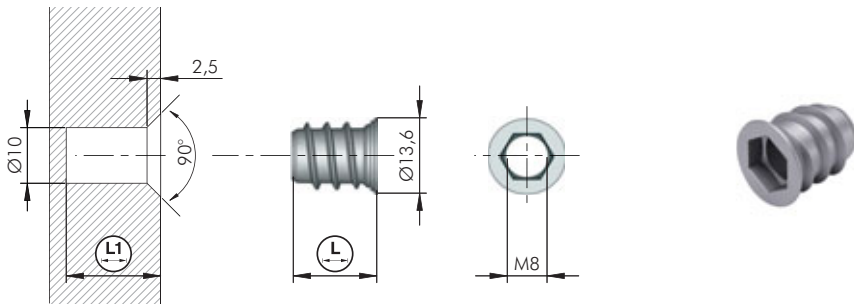


= Ø 8 mm
 = M6
 +

= S6

ZA

20102010GR	10	12	5000
20102020GR	13	15	5000
20102040GR	17	19	5000
20102050GR	20	22	4000

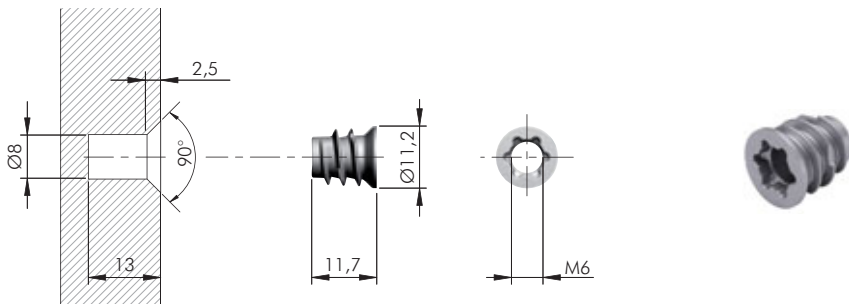


= Ø 10 mm
 = M8
 +

= S8

ZA

20103010GR	15	17	4000
20103020GR	18	20	2500
20103030GR	22	24	3000



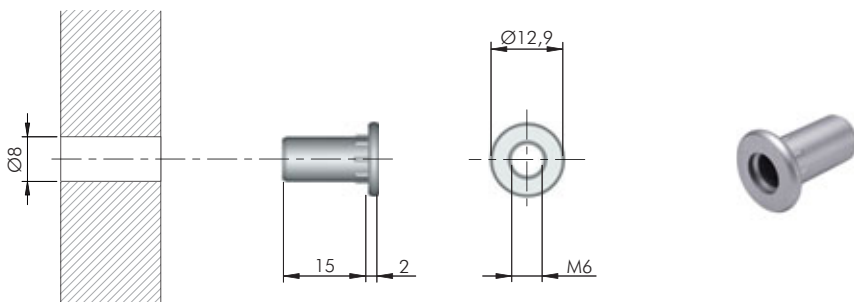
= Ø 8 mm
 = M6
 +

= T45

ZA

= 5000 pcs.

20102150GR	



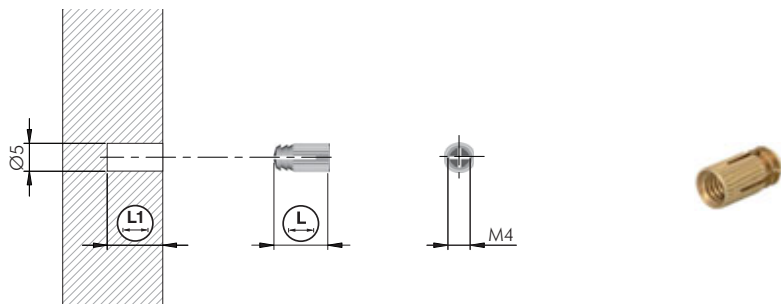
= Ø 8 mm
 = M6

ST

= 3000 pcs.

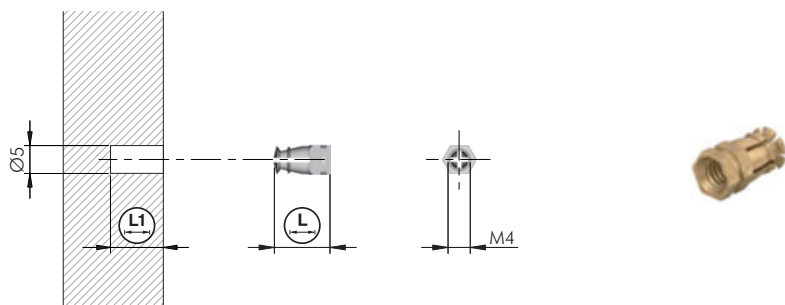
20701010ZN	

SPREADING DOWELS



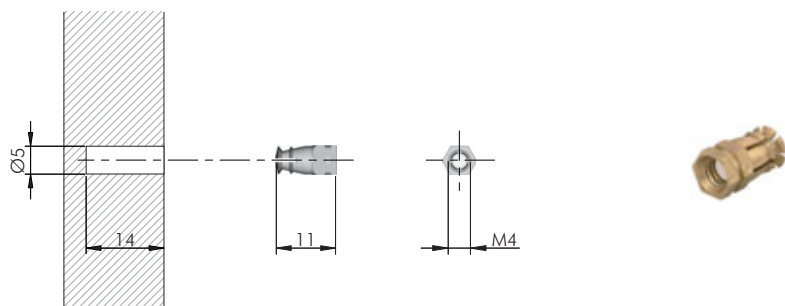
= Ø 5 mm
 = M4
 BR = 20.000 pcs.

20501010HL		8	10
20501020HL		10	12



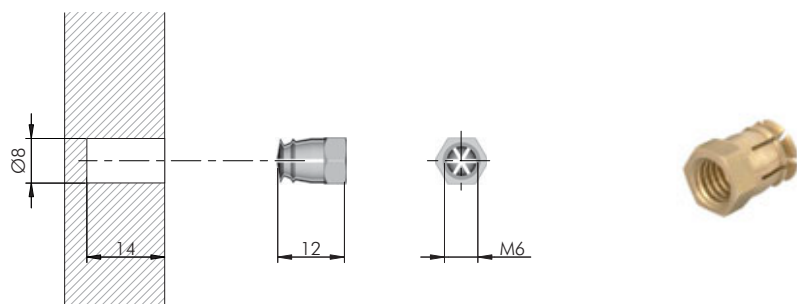
= Ø 5 mm
 = M4
 BR = 10.000 pcs.

20502010HL		7,5	9,5
20502021HL		10	12



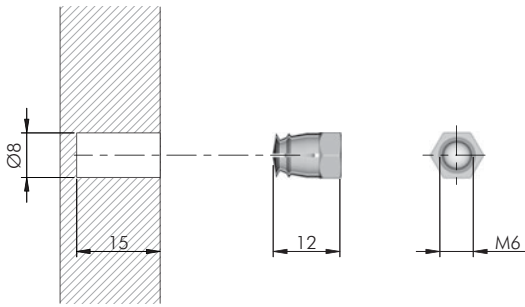
= Ø 5 mm
 = M4
 BR EP = 2500 pcs.

20503010HL

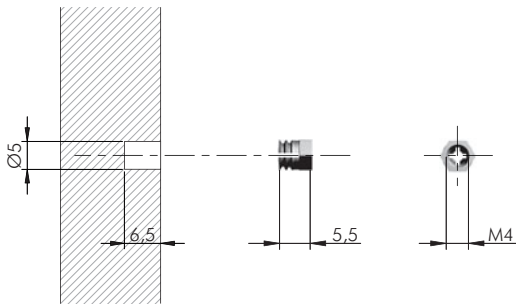


= Ø 8 mm
 = M6
 BR = 5000 pcs.

20506020HL

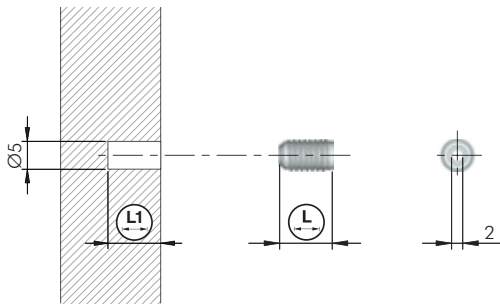


= Ø 8 mm	= M6
BR	EP
	= 5000 pcs.
20507061HL	

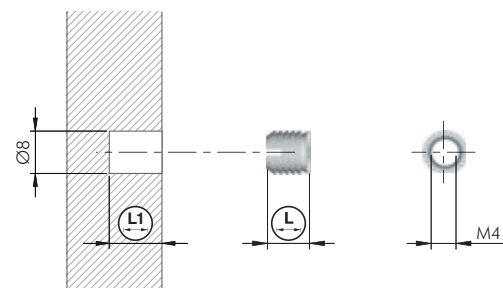


= Ø 5 mm	= M4
BR	= 5000 pcs.
20502000HL	

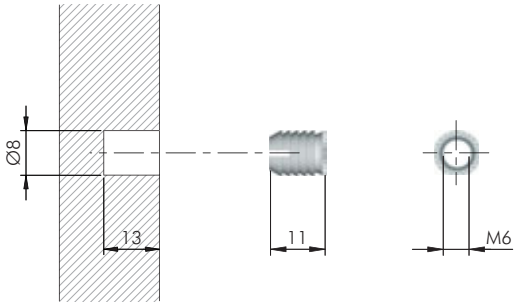
DOWELS



= Ø 5 mm		
EPn	= 10.000 pcs.	
20302020AA	9,5	11,5
20302030AA	13	15



= Ø 8 mm		
= M4	= 5000 pcs.	
EPn		
20303010AA	8	10
20303020AA	11	13

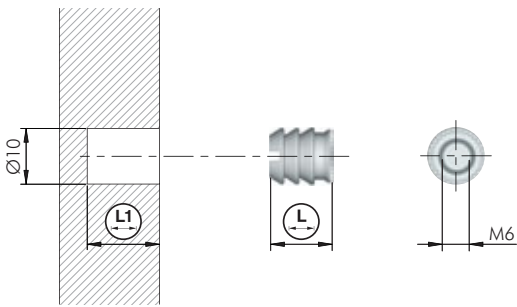


= Ø 8 mm
 = M6

 = 5000 pcs.

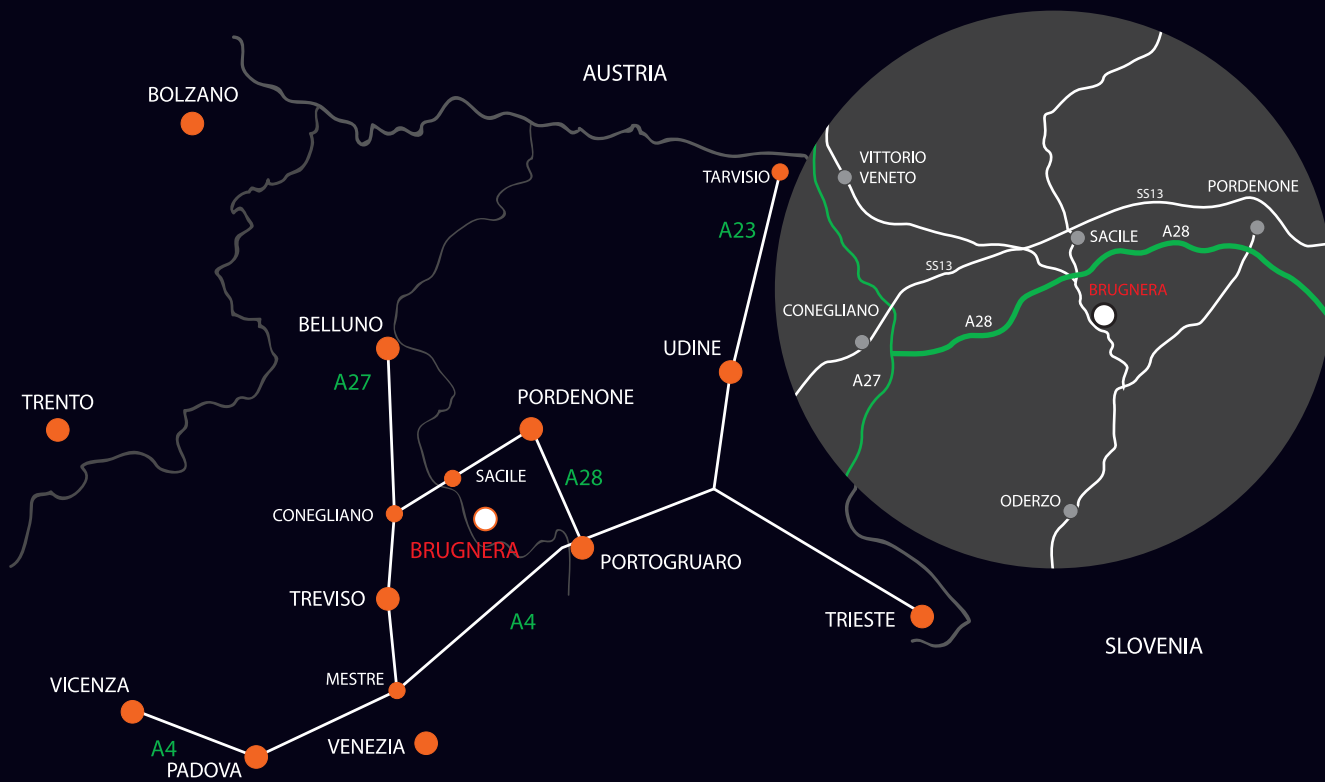
123

20303030AA



= Ø 10mm
 = M6

123 20304030AA	11	13	20.000
20304040AA	13	15	5000



www.italianaferramenta.com