



VIBO[®]
Wire processing

Portata massima:
Maximum load:
Charge maxi:
Maximale belastbarkeit:
Carga maxima:

120
Kg

Istruzioni di montaggio

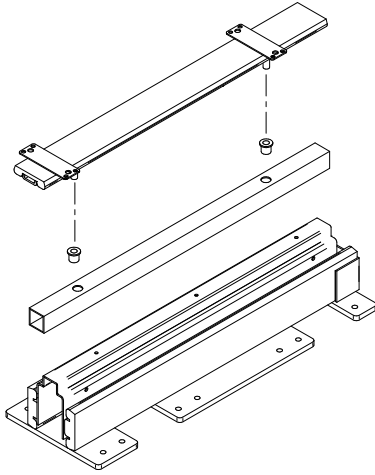
Assembling instructions

Notice de montage

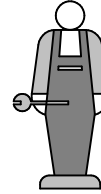
Montageanleitung

Manual de montaje

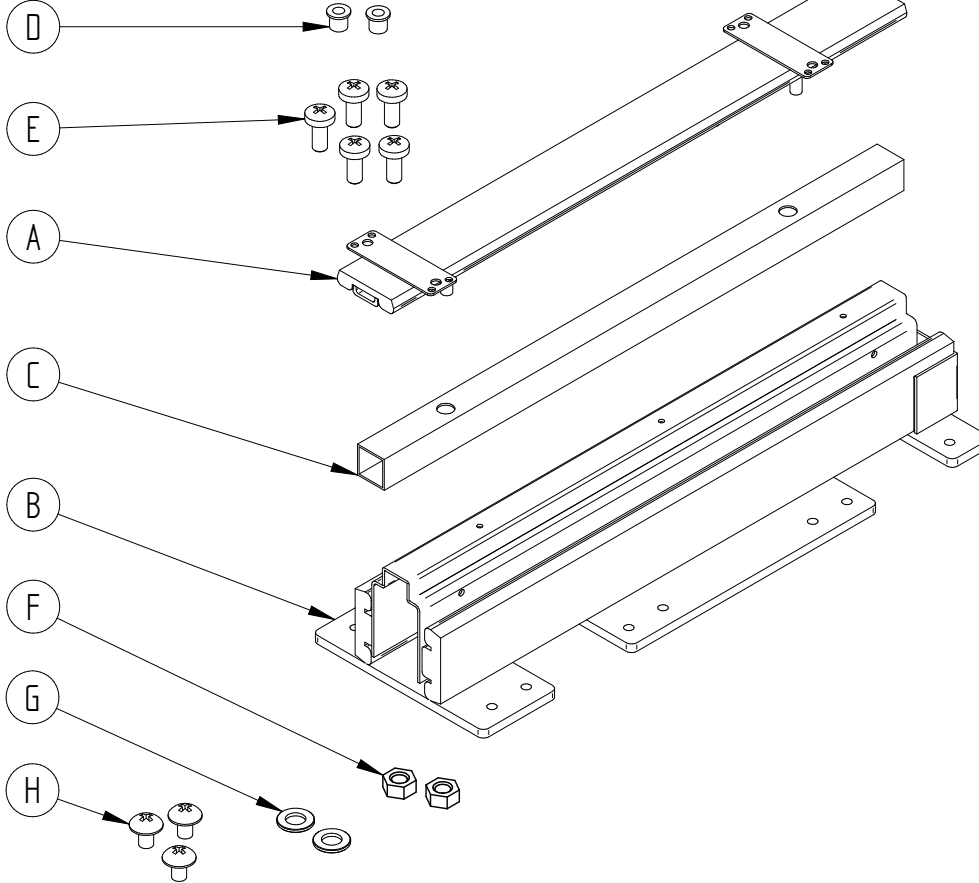
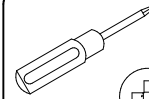
GCSTM/10



15 min



1



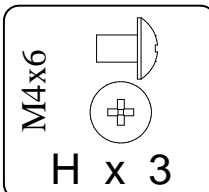
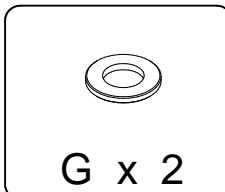
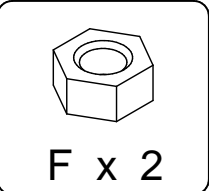
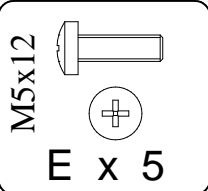
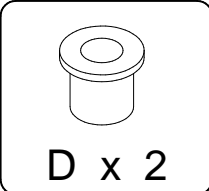
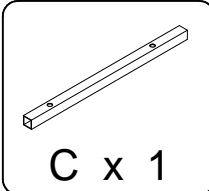
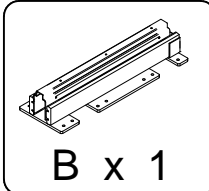
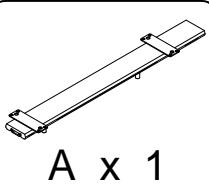
**PRIMA DI COMINCIARE,
VEDERE I CONSIGLI DI
MONTAGGIO**

BEFORE STARTING, REFER
TO THE ASSEMBLING
ADVICE IN ANNEX

AVANT DE COMMENCER, SE
REPORTER AUX CONSEILS
DE MONTAGE EN ANNEXE

VOR DIE MONTAGE, BITTE
BEILIEGENDE
ANWEISUNGEN FOLGEN

ANTES DE EMPEZAR
CONSULTE LOS CONSEJOS
PARA EL MONTAJE





Montaggio colonna

Assembling Pull-Out column

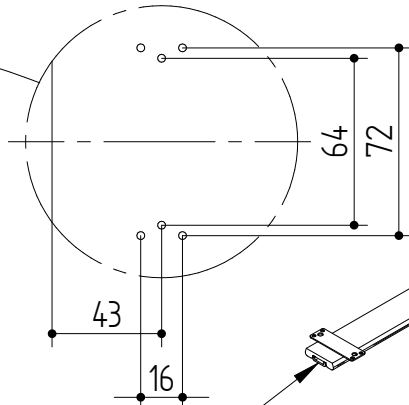
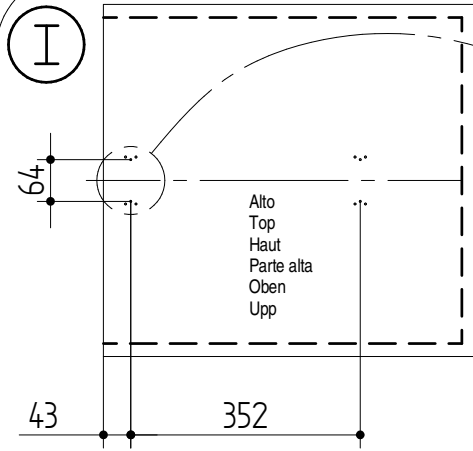
Montage de la colonne

Montaje del elemento columna

Montering av kolumn

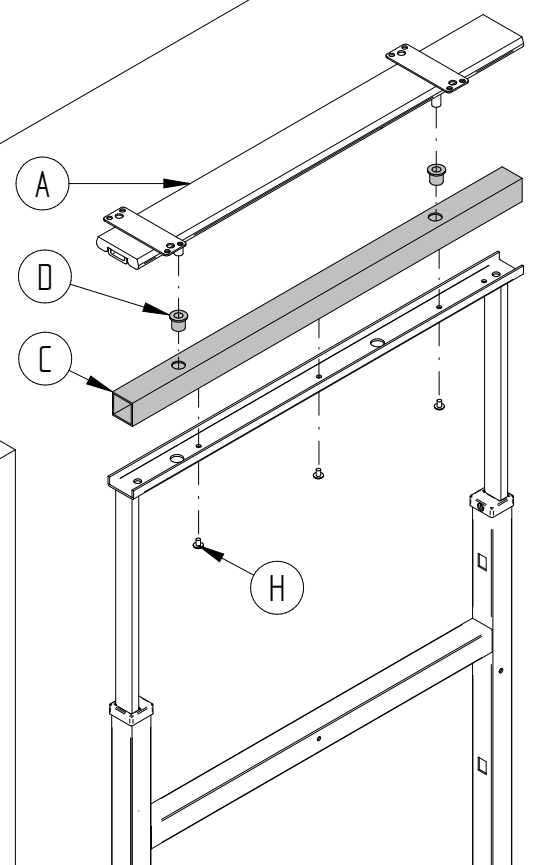
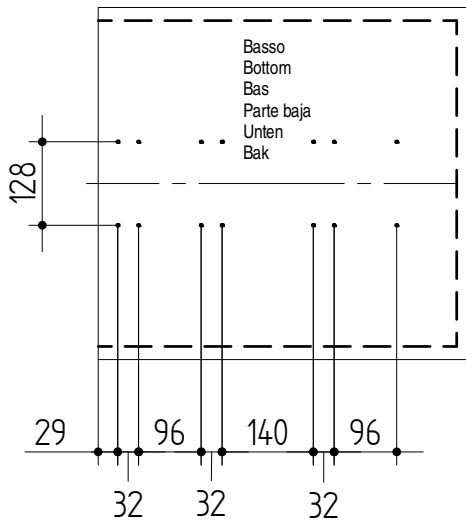
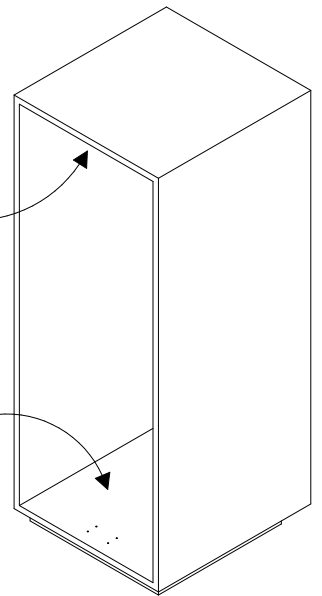
Montage des Rahmen

Montering af søjle

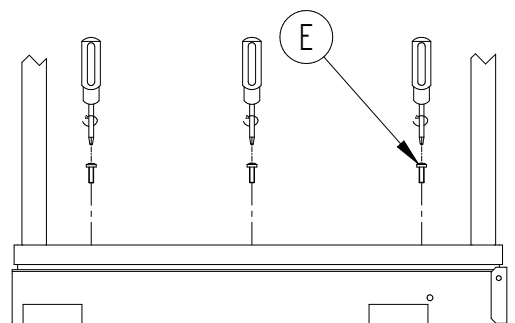
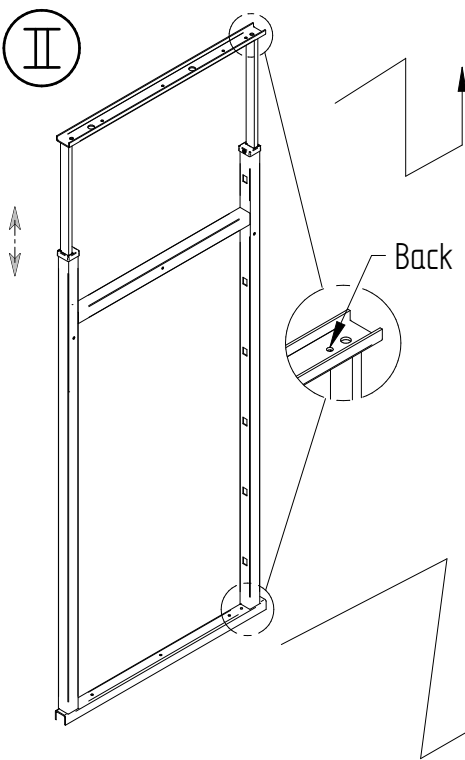


A

B



II





Montaggio colonna

Assembling Pull-Out column

Montage de la colonne

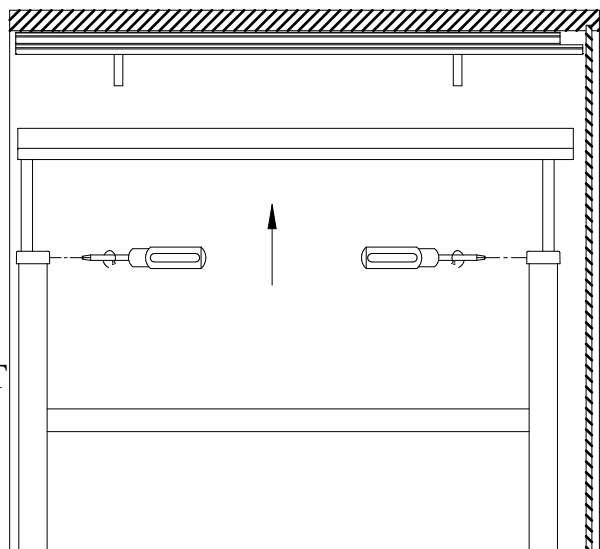
Montaje del elemento columna

Montering av kolumn

Montage des Rahmen

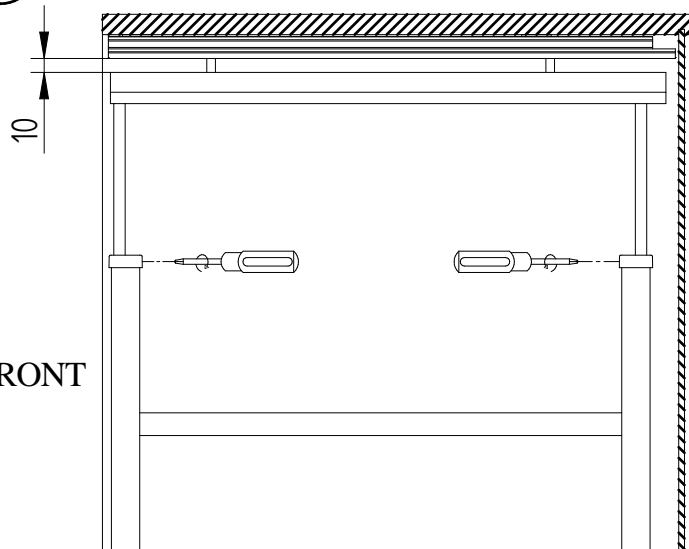
Montering af søjle

III



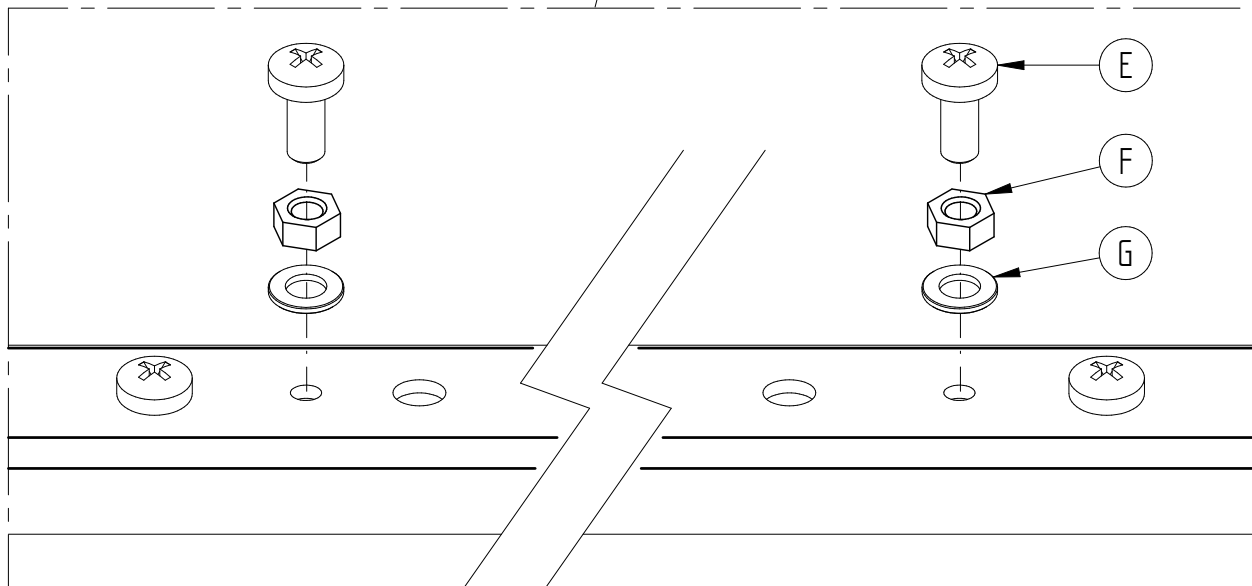
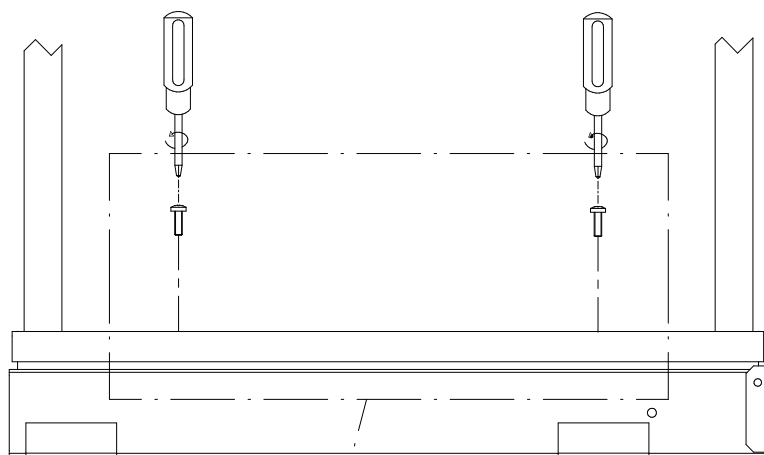
FRONT

IV



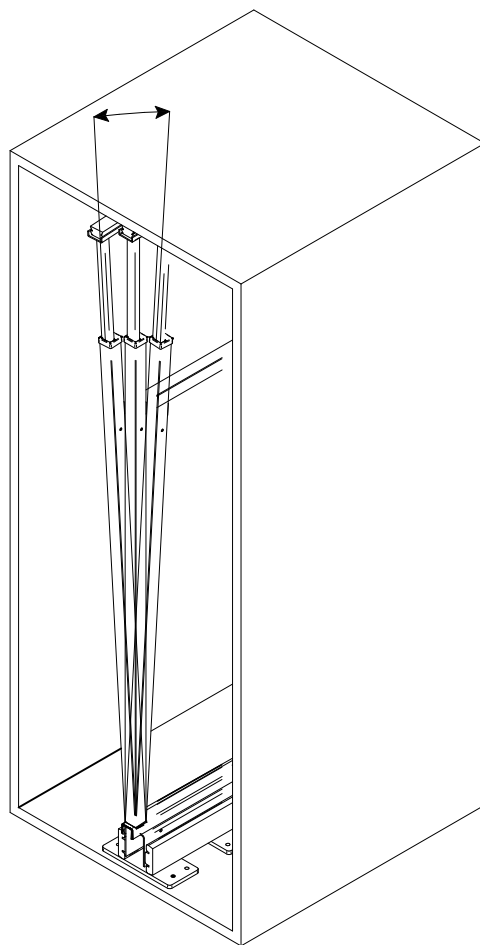
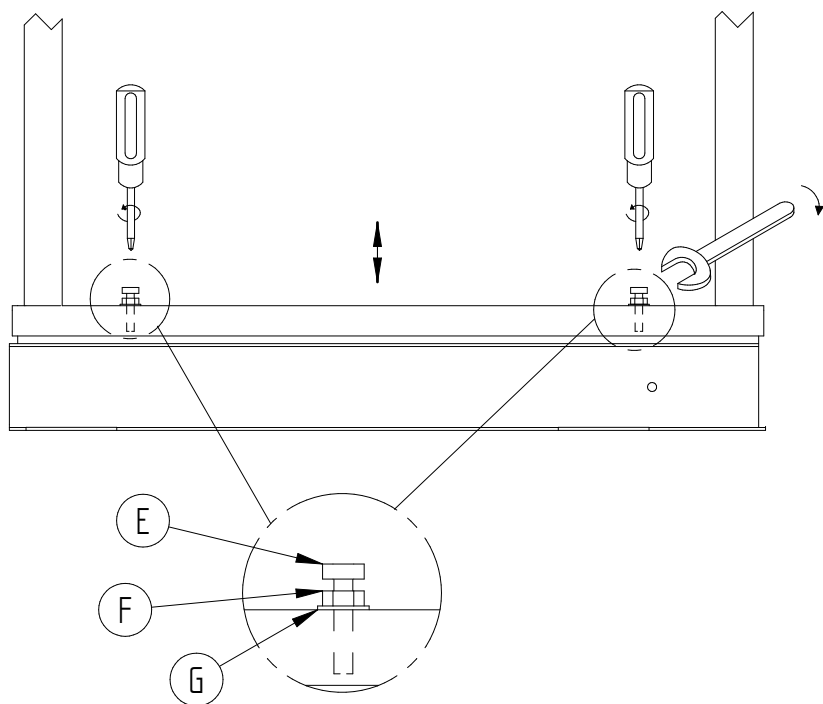
FRONT

V





VI



ATTENTION !!!

**THE LARDER UNIT
MUST BE FIXED
TO THE WALL
AS DESCRIBED
HERE BESIDE**

