

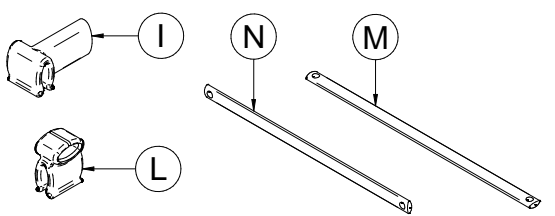
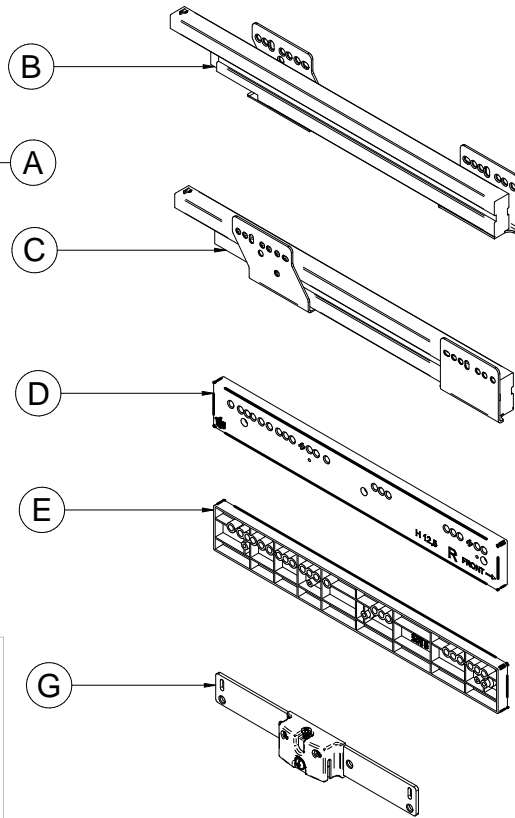
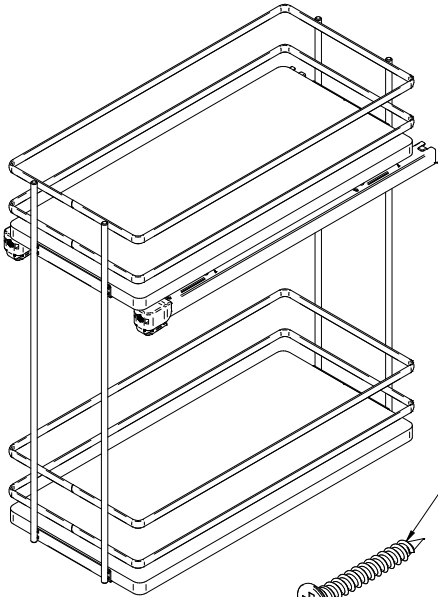
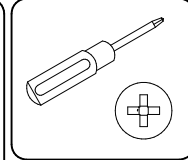
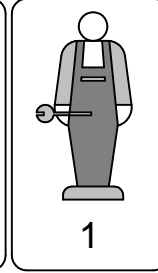
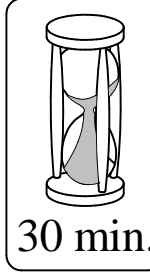
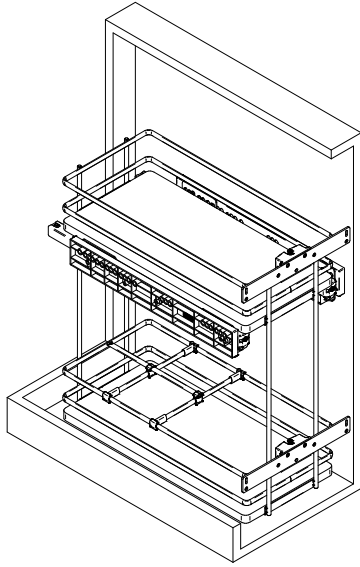
VIBO
Wire processing

Portata massima:
Maximum load:
Charge maxi:
Maximale belastbarkeit:
Carga maxima:

30
Kg

Istruzioni di montaggio
Assembling instructions
Notice de montage
Montageanleitung
Manual de montaje

EGTGM...B2OMBAS
EGTGM...B3OMBAS



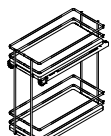
**PRIMA DI COMINCIARE,
VEDERE I CONSIGLI DI
MONTAGGIO**

BEFORE STARTING, REFER
TO THE ASSEMBLING
ADVICE IN ANNEX

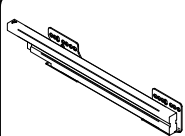
AVANT DE COMMENCER, SE
REPORTER AUX CONSEILS
DE MONTAGE EN ANNEXE

VOR DIE MONTAGE, BITTE
BEILIEGENDE
ANWEISUNGEN FOLGEN

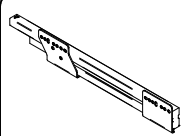
ANTES DE EMPEZAR
CONSULTE LOS CONSEJOS
PARA EL MONTAJE



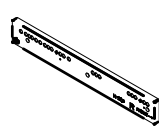
A x 1



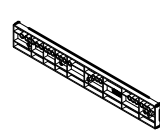
B x 1



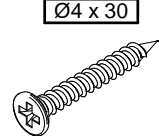
C x 1



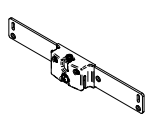
D x 1



E x 1



F x 6



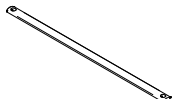
G x 2



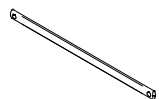
I



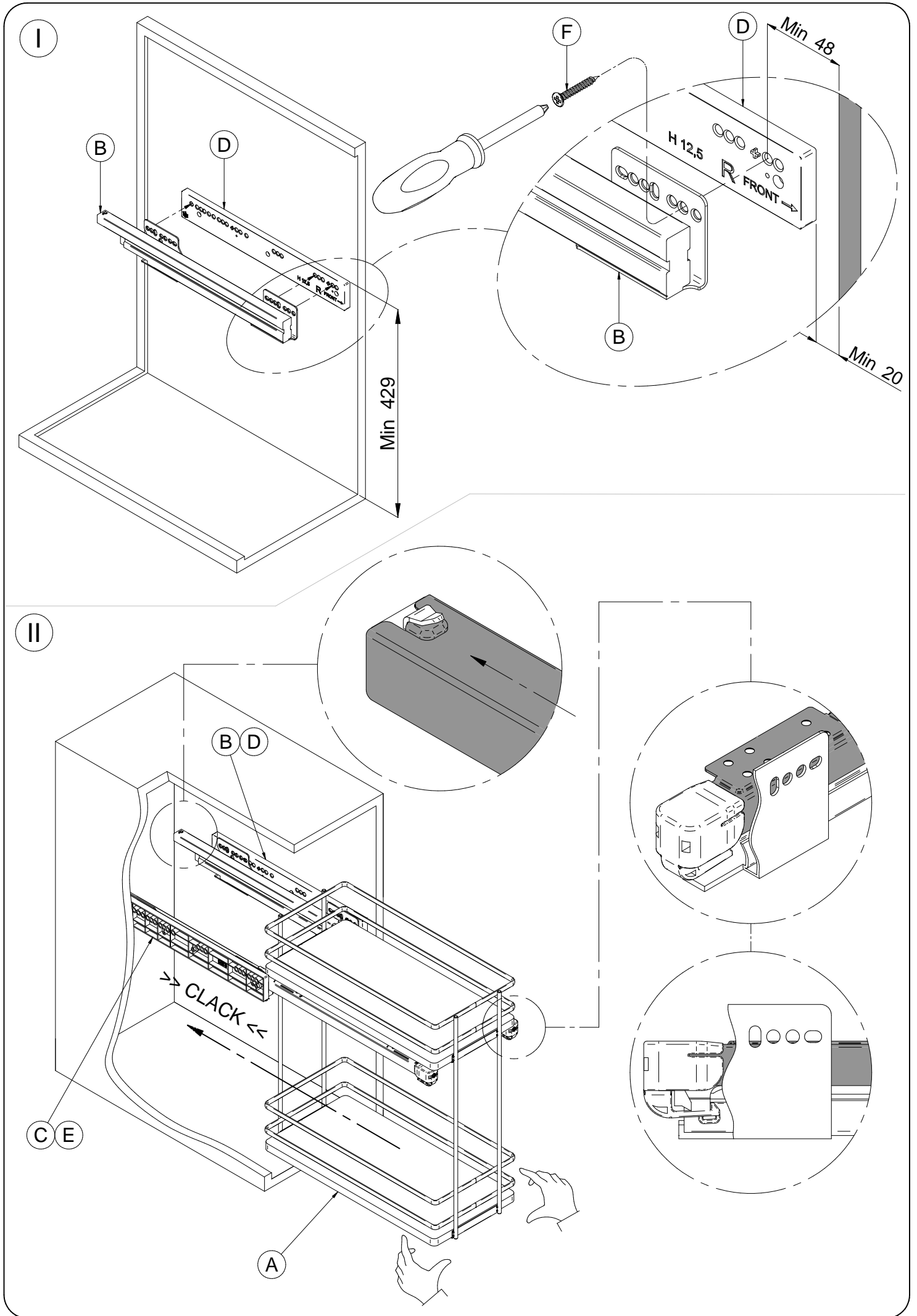
L

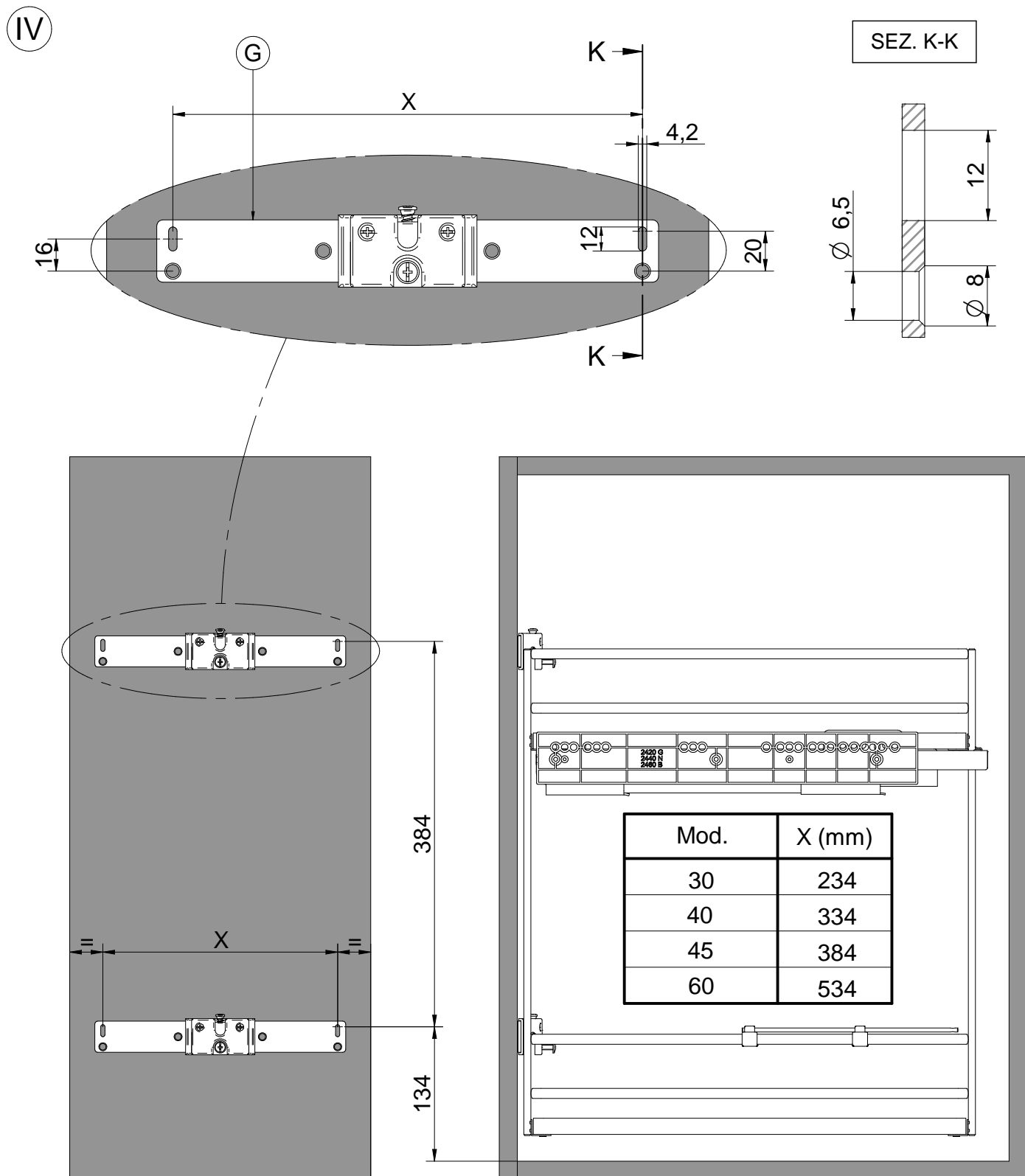
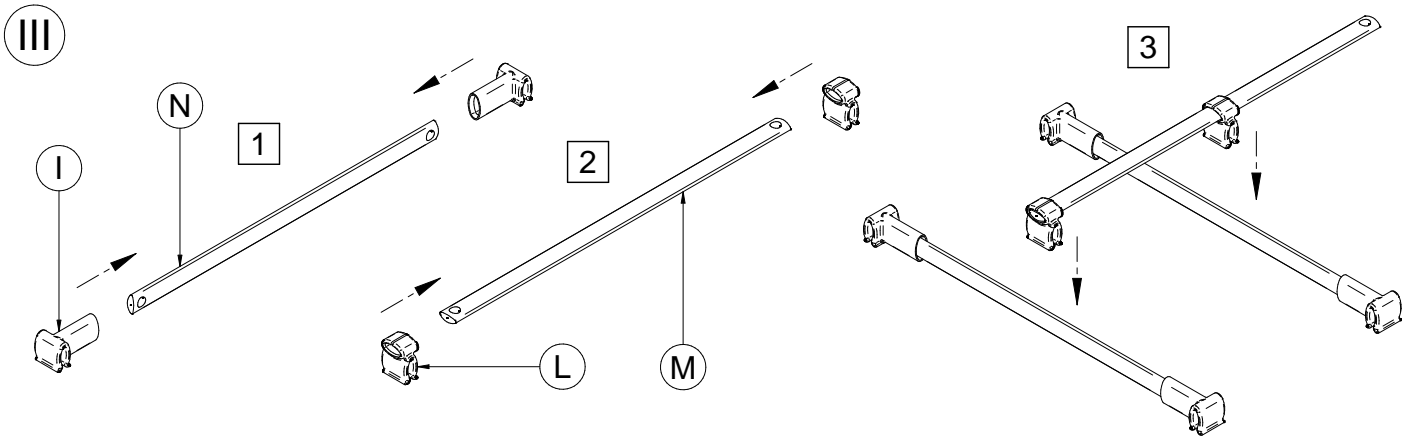


M

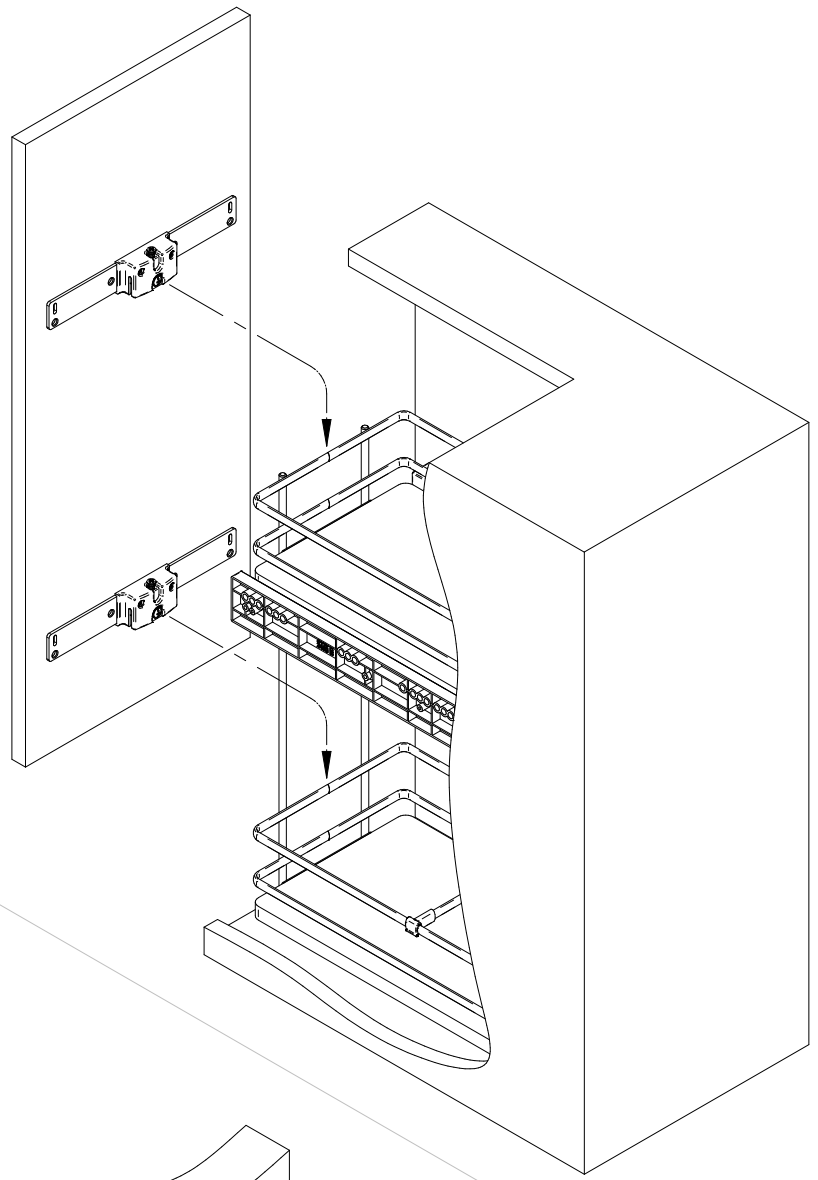


N





V



VI

