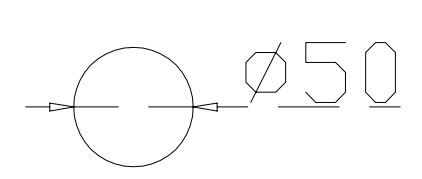
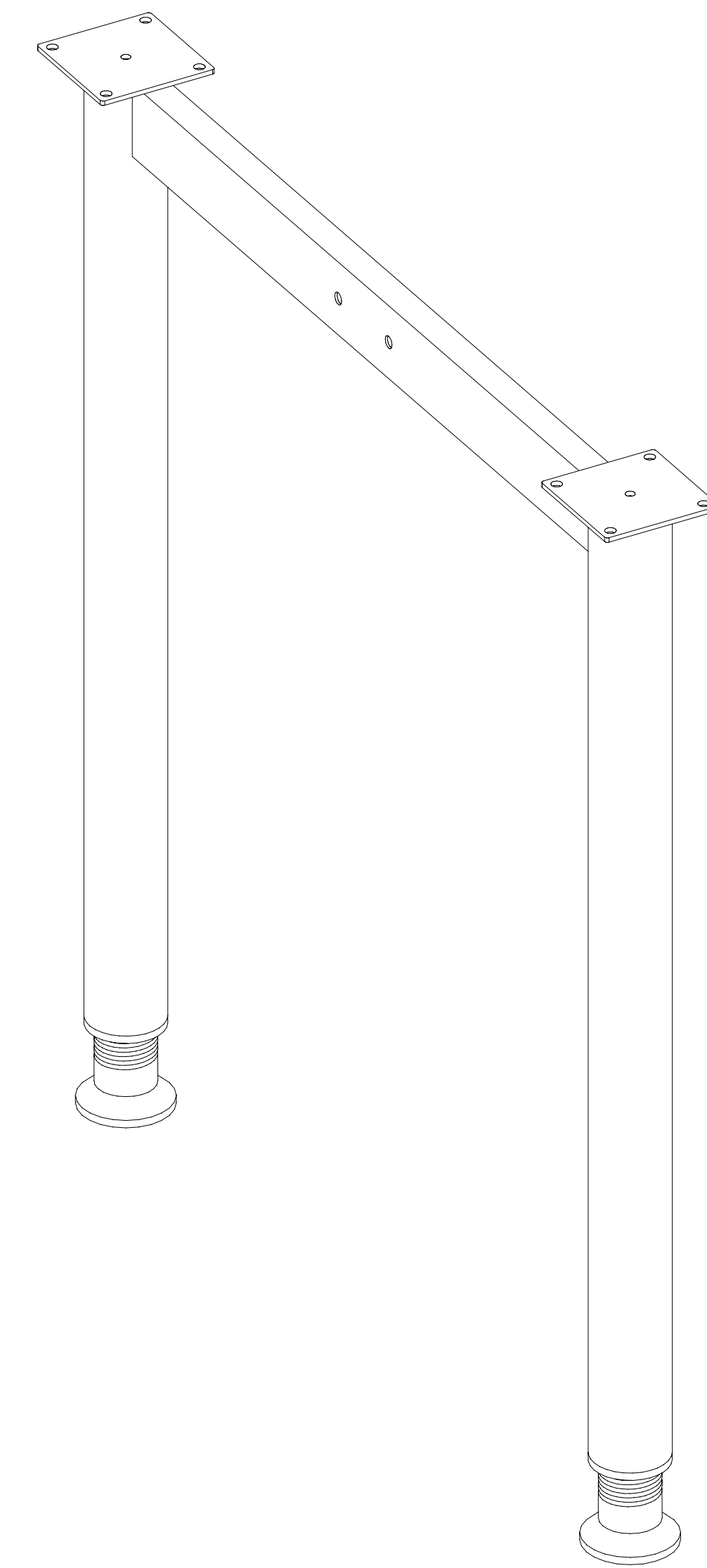
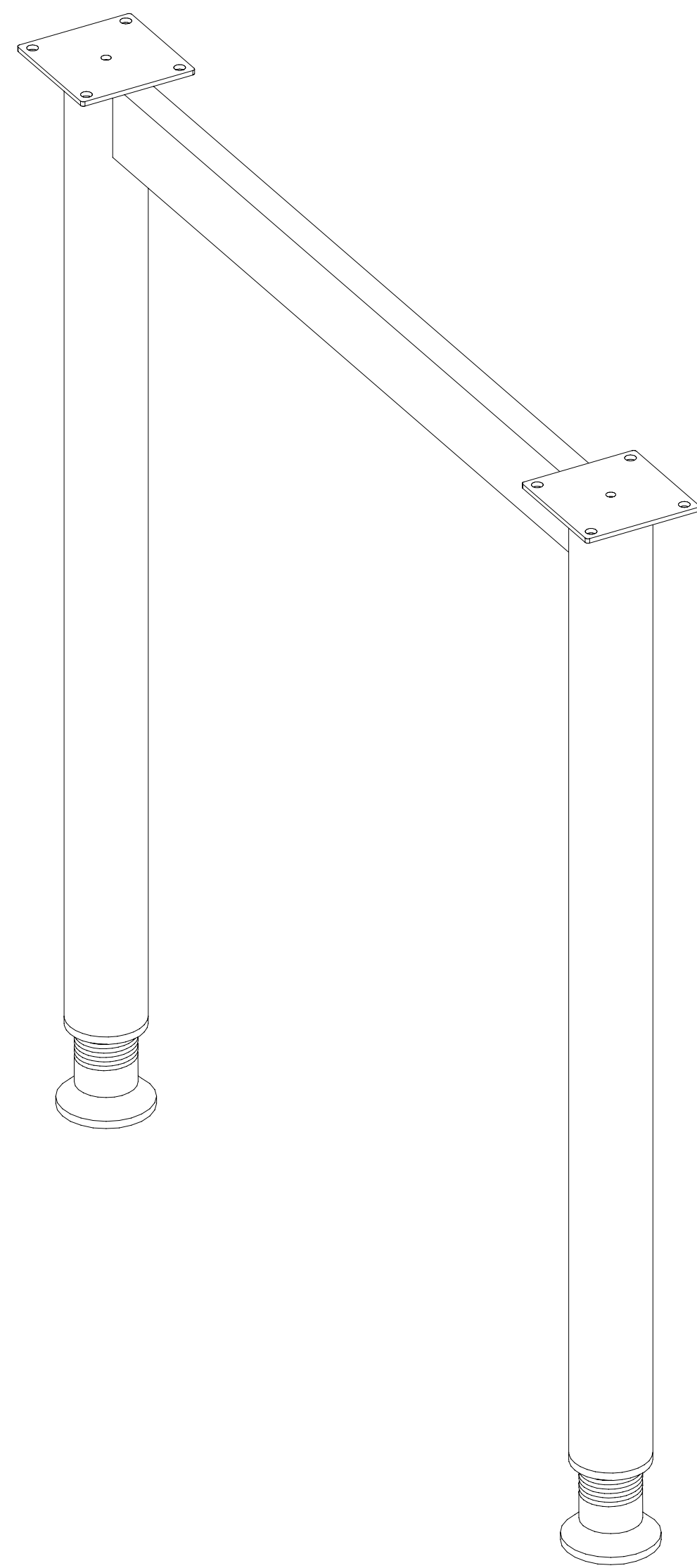


GRUPA VI GROUP VI

STELAŽ
STEEL LEGS
ST 517 / 60, ST 517 / 70,
ST 517 / 80

MILA DESIGN



ST 517 / 60
* 600 mm

ST 517 / 70
* 700 mm

ST 517 / 80
* 800 mm

