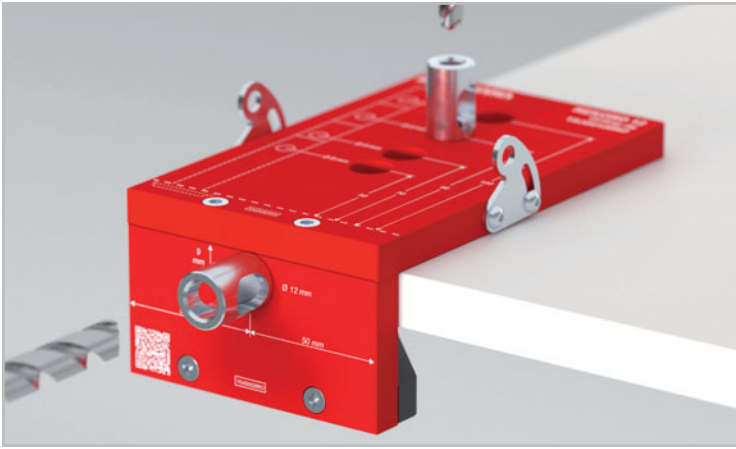


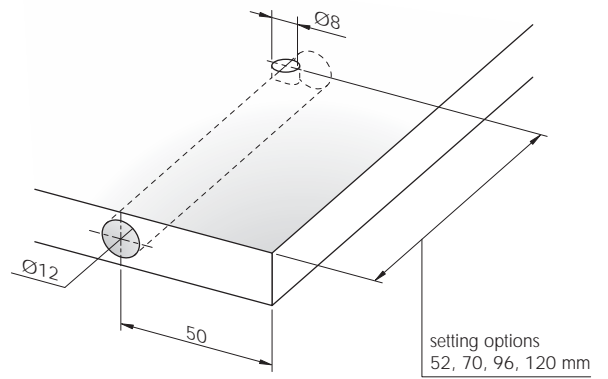
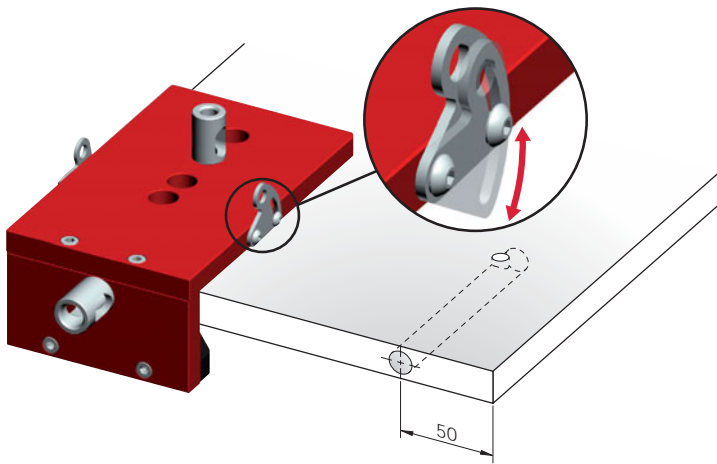


## DRILLING JIG FOR REKORD 12

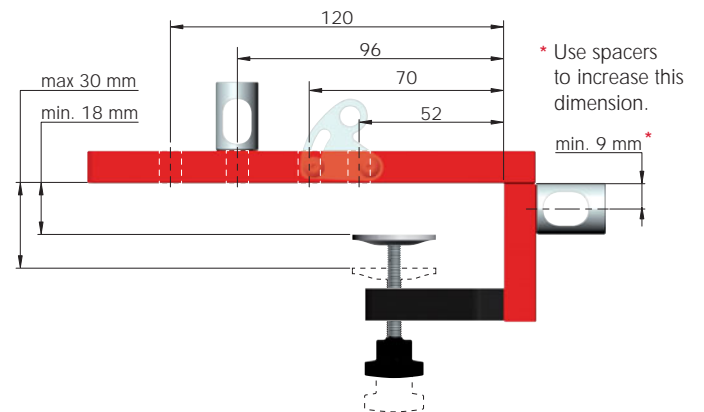
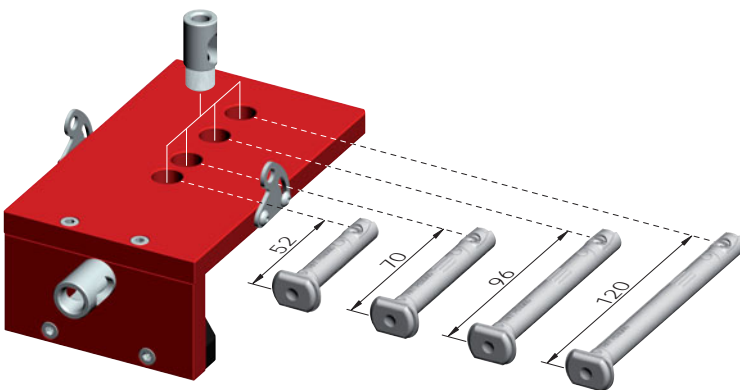


18 - 30 mm 

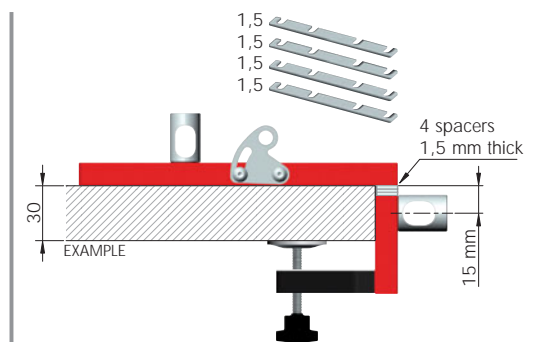
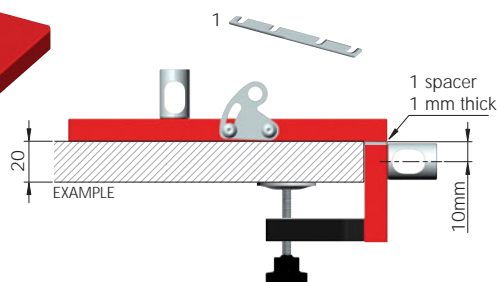
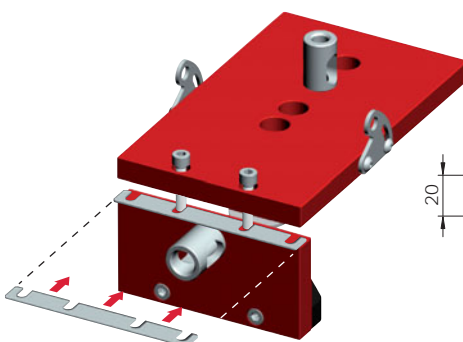
### GENERAL SPECIFICATIONS



### APPLICATION OPTIONS



### DRILLING SPACERS FOR OTHER PANEL THICKNESSES





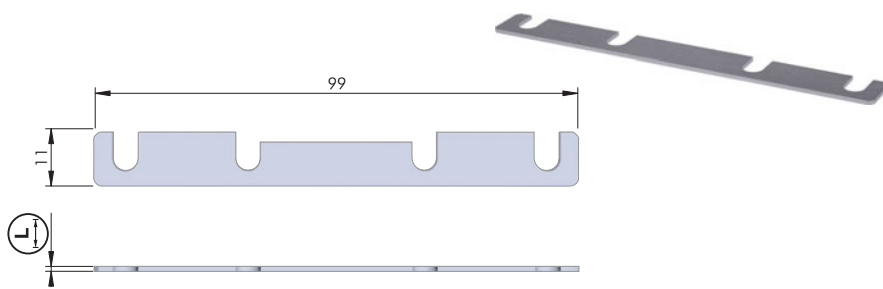
## REKORD 12 DRILLING JIG FOR PANEL THICKNESS 18 mm



AL	ST	EP	= on request
YOJG0120RO			

NOTE: The product code includes all the components shown in the picture.

## REKORD 12 DRILLING JIG ACCESSORIES



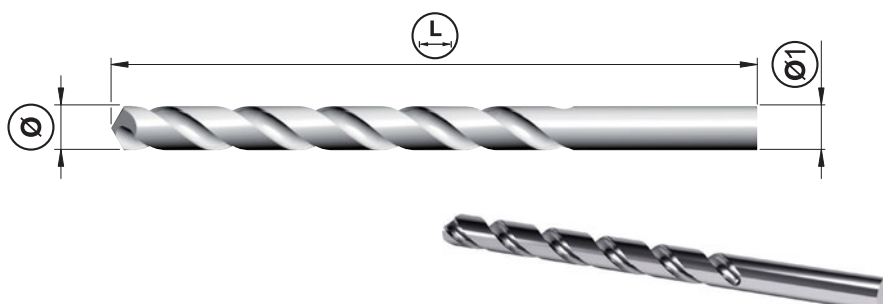
AL	= on request
YOJG0511GR	1
YOJG0512GR	1,5

## DRILLING JIG DEPTH STOP COLLARS



ST	= on request
YOJG051700	Ø8
YOJG051900	Ø12

## DRILL BIT



HSS	= on request		
YOJG052800	Ø8	117	Ø8
YOJG054700	Ø12	205	Ø10

NOTE: For drilling jig we recommend to use precision-ground steel drill bit HSS-G.