

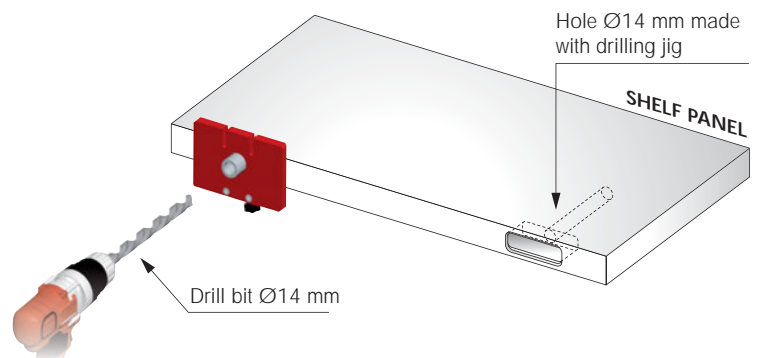
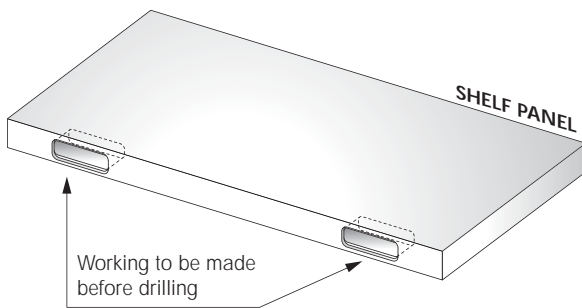


DRILLING JIG FOR TRIADE

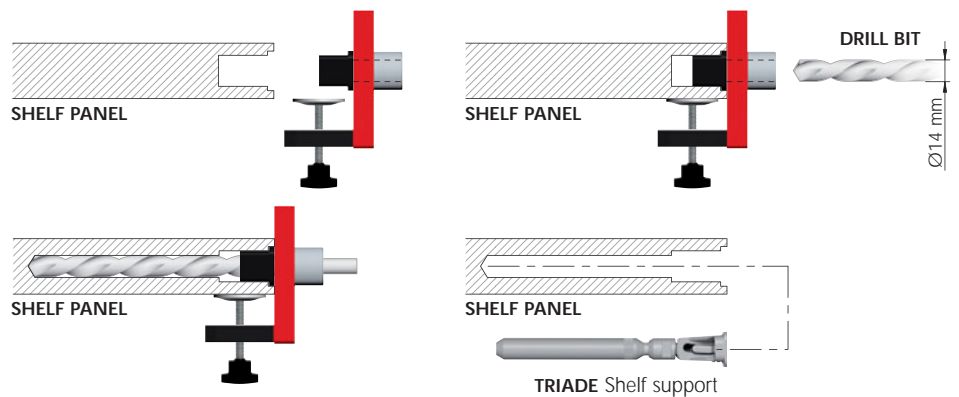
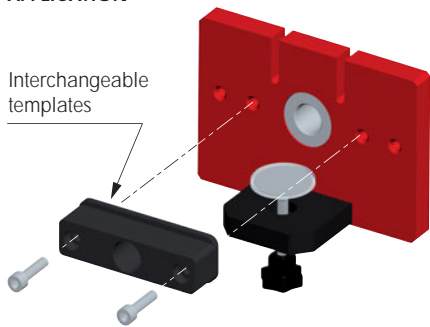


50 mm MAX

GENERAL SPECIFICATIONS



APPLICATION



TEMPLATES AVAILABLE

TEMPLATE FOR TRIADE MINI Part no. YOJG013500	TEMPLATE FOR TRIADE Part no. YOJG013600	TEMPLATE FOR TRIADE MAXI Part no. YOJG013700	TEMPLATE FOR TRIADE MINI AND TRIADE ALUMINIUM PROFILE Part no. YOJG013800	TEMPLATE FOR TRIADE MAXI ALUMINIUM PROFILE Part no. YOJG013900
Triade Mini	Triade	Triade Maxi	Aluminium profile for Triade Mini and Triade	Aluminium profile for Triade Maxi
			Triade Mini Triade	Triade Maxi



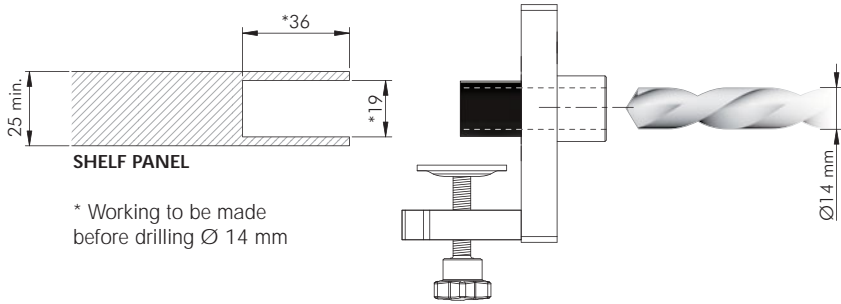
TRIADE DRILLING JIG



AL	ST	EP	= on request
YOJG0130RO			

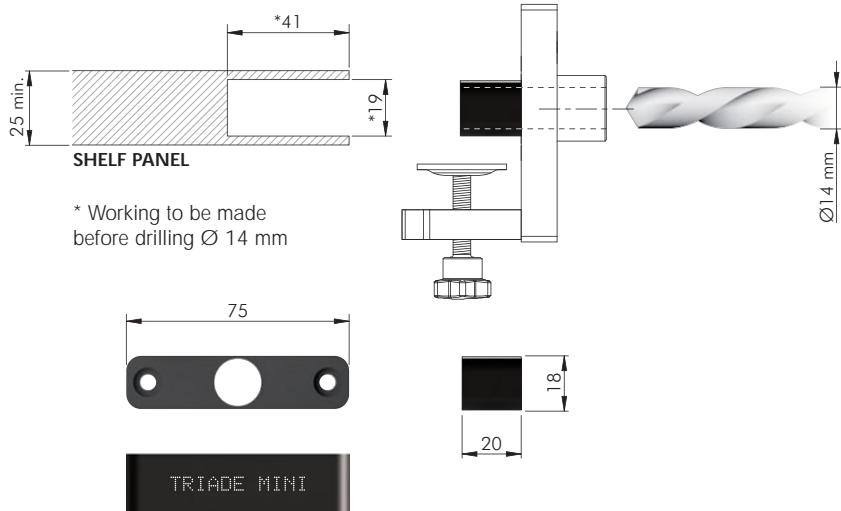
TRIADE DRILLING JIG TEMPLATES

TRIADE MINI DRILLING PLAN



EP	= on request
YOJG013500	

TRIADE MINI AND BRACKET DRILLING PLAN

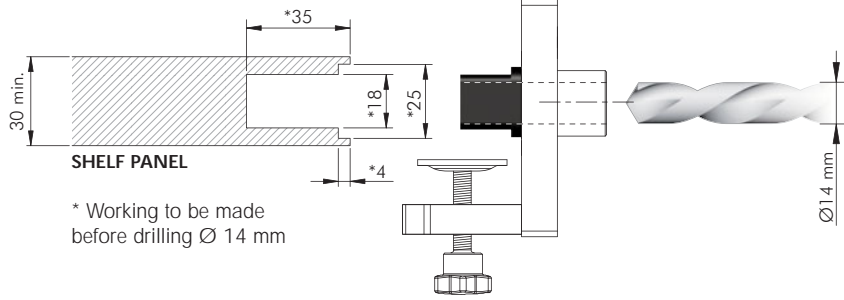


NOTE: The product code includes the fixing screws.

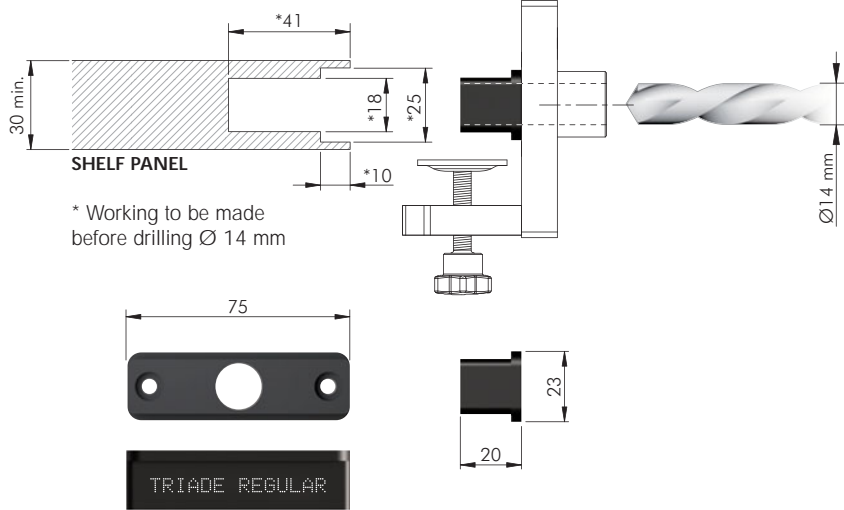




TRIADE DRILLING PLAN



TRIADE AND BRACKET DRILLING PLAN



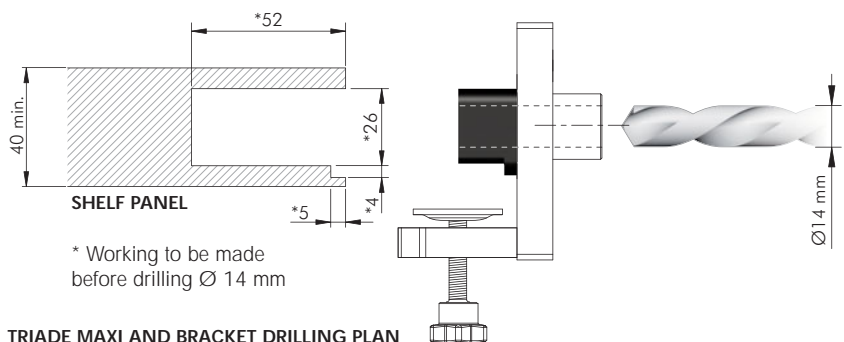
EP = on request

YOJG013600

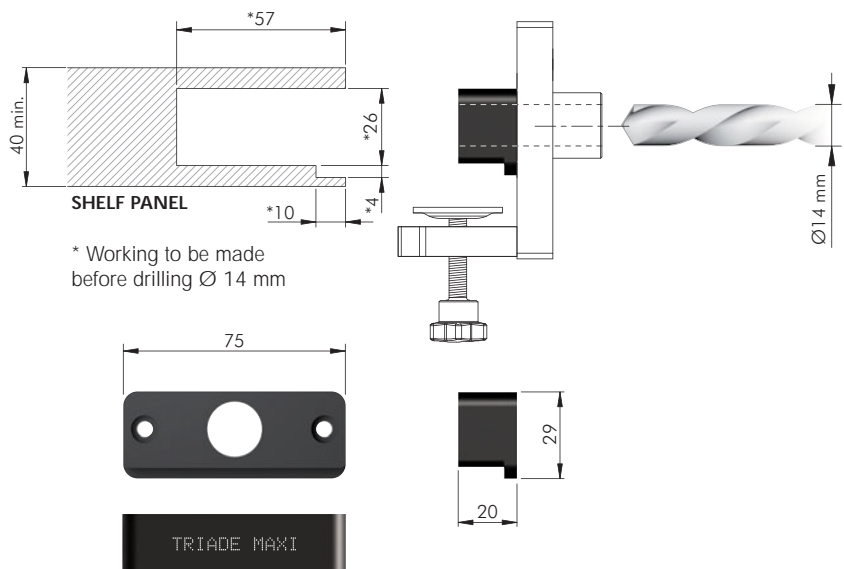
NOTE: The product code includes the fixing screws.



TRIADE MAXI DRILLING PLAN



TRIADE MAXI AND BRACKET DRILLING PLAN



EP = on request

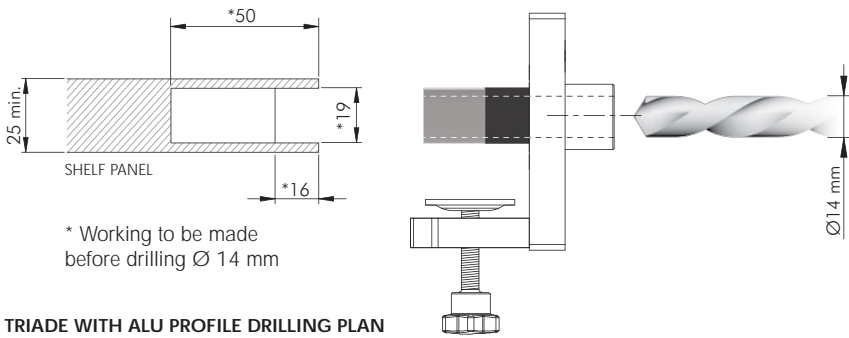
YOJG013700

NOTE: The product code includes the fixing screws.





TRIADE MINI WITH ALU PROFILE DRILLING PLAN

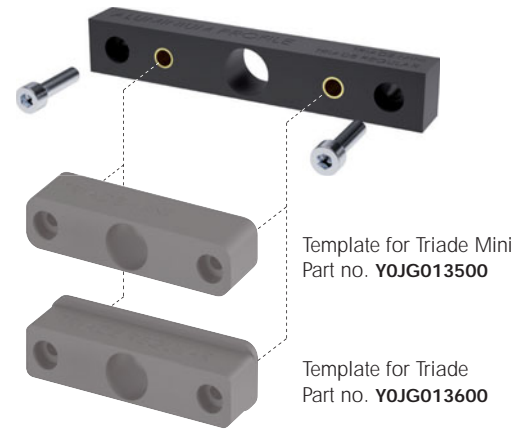
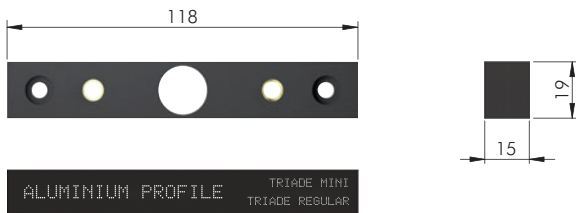
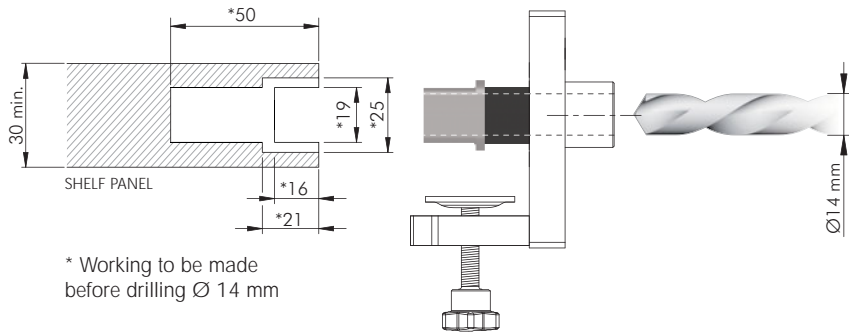


EP = on request

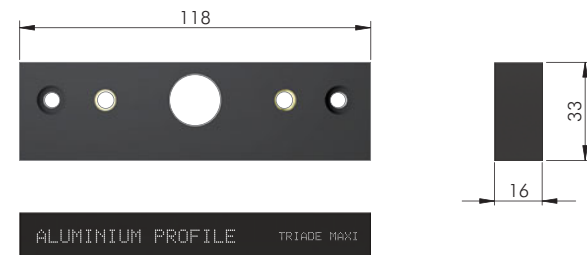
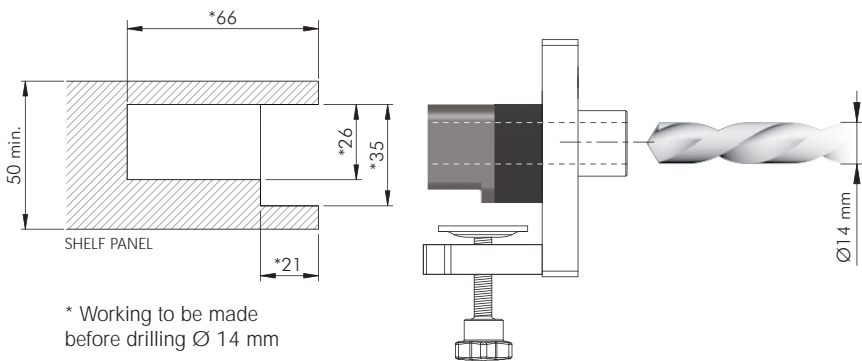
123

YOJG013800

TRIADE WITH ALU PROFILE DRILLING PLAN



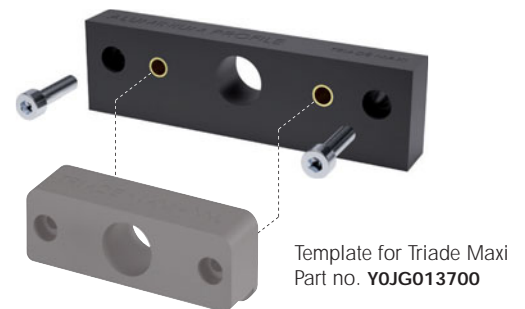
TRIADE MAXI DRILLING PLAN



EP = on request

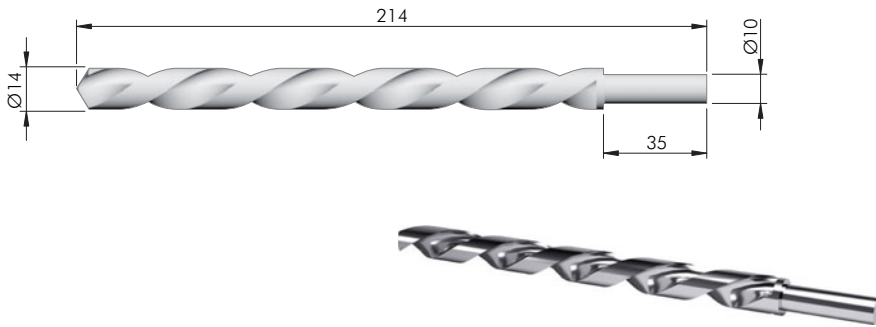
123

YOJG013900





DRILL BIT



HSS	= on request
123	
YOJG054000	

NOTE: For drilling jig we recommend to use precision-ground steel drill bit HSS-G.

COMPLETE KIT DRILLING JIG FOR TRIADE

CONTENT OF THE CASE:

- | | |
|------------|------------|
| Part no. | Part no. |
| YOJG0130RO | YOJG0133RO |
| YOJG013500 | YOJG055000 |
| YOJG013600 | YOJG054000 |
| YOJG013700 | YOJG054100 |
| YOJG013800 | |
| YOJG013900 | |

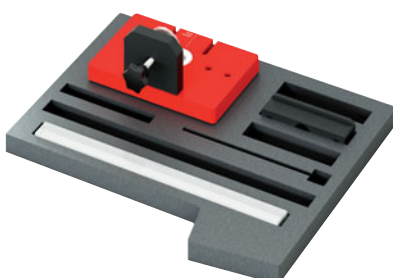


AL	ST	EP	= on request
123			
YOJG0131RO			

BASE KIT DRILLING JIG TRIADE AND DRILL BIT (only template for Triade Regular)

CONTENT OF THE CASE:

- | |
|------------|
| Part no. |
| YOJG0130RO |
| YOJG013600 |
| YOJG054000 |



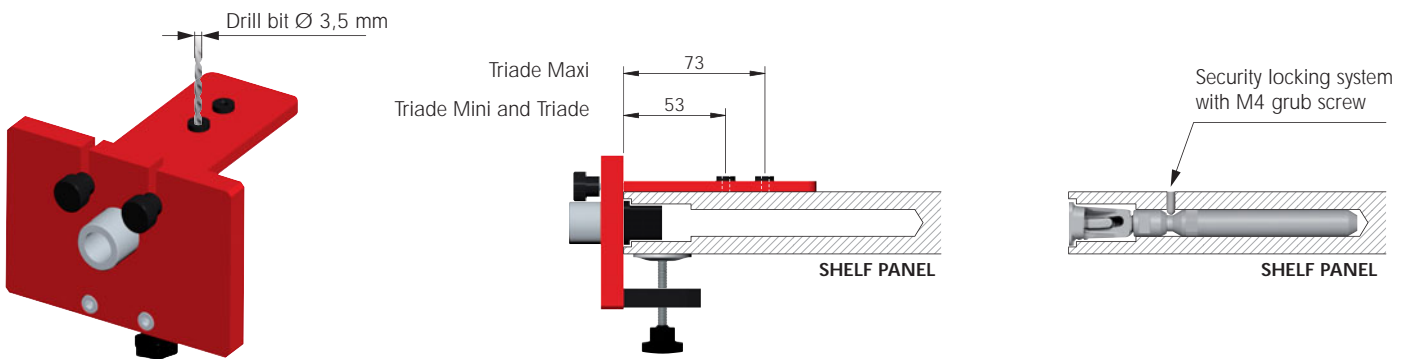
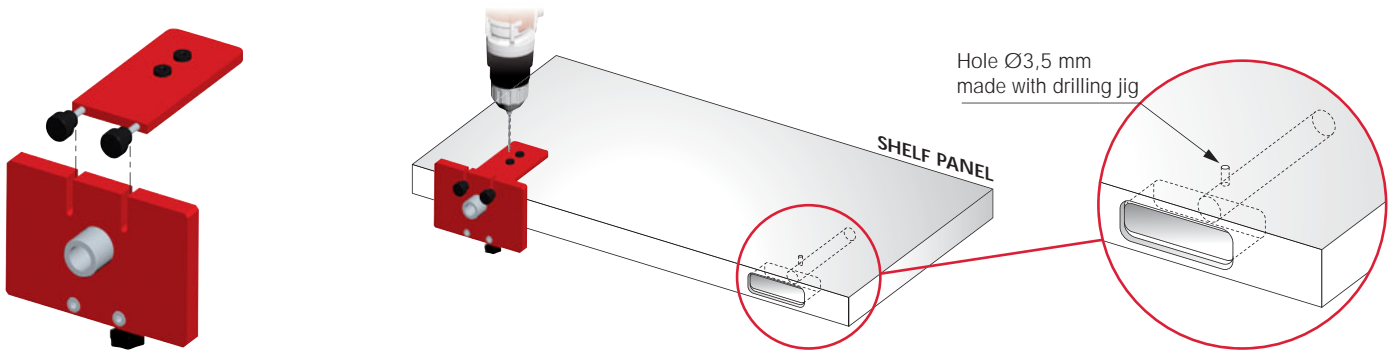
AL	ST	EP	= on request
123			
YOJG0132RO			



TRIADE DRILLING JIG INSERT FOR SECURITY LOCKING



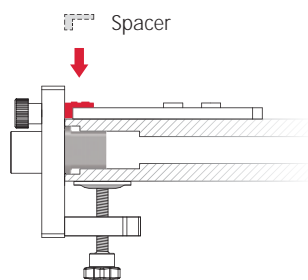
GENERAL SPECIFICATIONS



SPACERS AVAILABLE

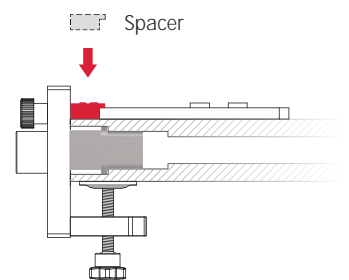
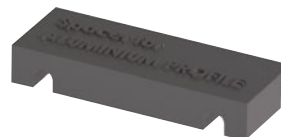
SPACER FOR TRIADE WALL BRACKETS

Part no. YOJG054900



SPACER FOR TRIADE ALUMINIUM PROFILES

Part no. YOJG055000



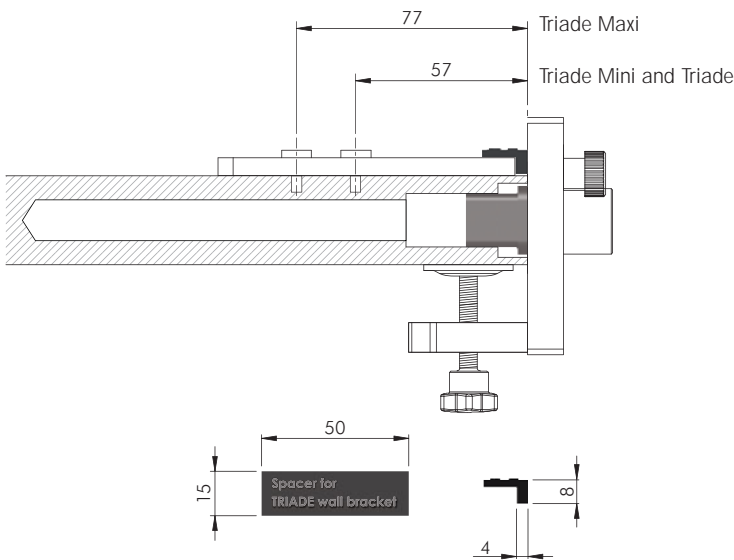


DRILLING JIG INSERT FOR SECURITY LOCKING

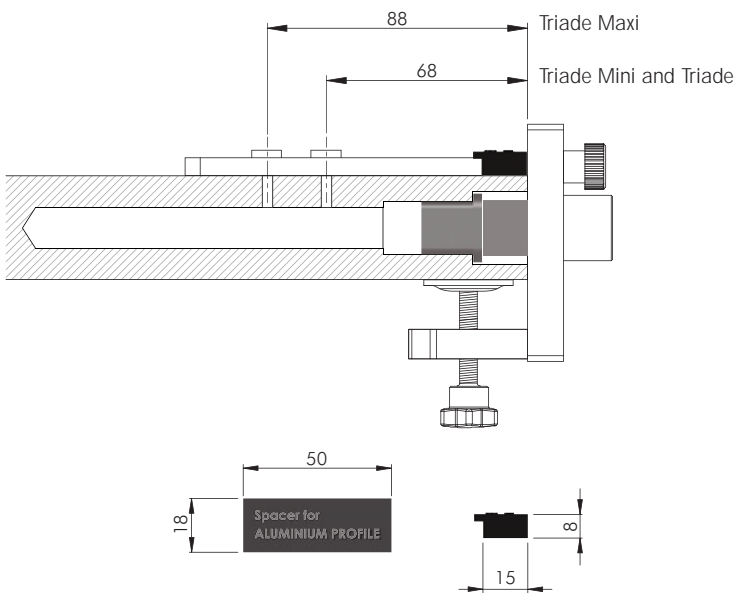
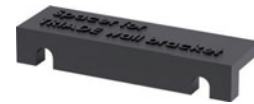


AL	ST	EP	= on request
YOJG0133RO			

SPACERS FOR SECURITY LOCKING



EP	= on request
YOJG054900	

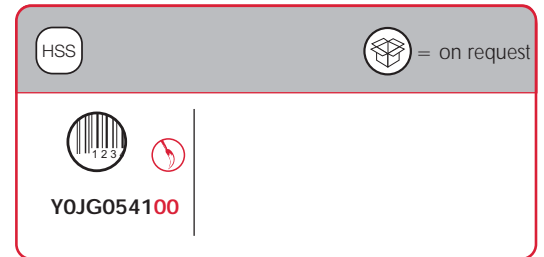
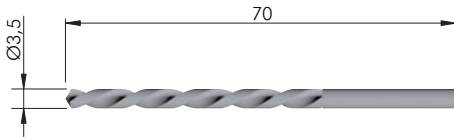


EP	= on request
YOJG055000	





DRILL BIT



NOTE: For drilling jig we recommend to use precision-ground steel drill bit HSS-G.

COMPLETE SET DRILLING JIG FOR TRIADE

CONTENT OF THE CASE:

Part no.	Part no.
Y0JG0130RO	Y0JG0133RO
Y0JG013500	Y0JG055000
Y0JG013600	Y0JG054000
Y0JG013700	Y0JG054100
Y0JG013800	
Y0JG013900	



SET WITH DRILLING JIG TRIADE AND DRILL BIT Ø14 mm (only template for Triade Regular)

CONTENT OF THE CASE:

Part no.
Y0JG0130RO
Y0JG013600
Y0JG054000

