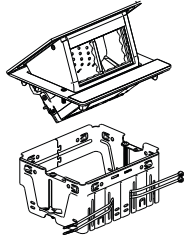
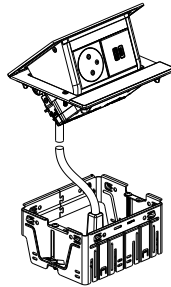


Incara™ Pop Up

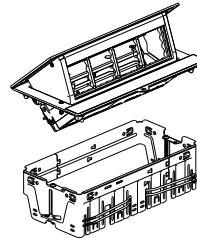
Cat. No(s) : 6 548 00 to 03 - 6 548 08 to 11 - 6 548 16/17/20/27



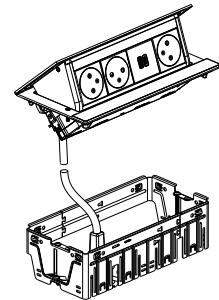
6 548 00/01/02/03



6 548 16/17/27



6 548 08/09/10/11



6 548 20

1. USE

Incara™ Pop up is a modern and aesthetic solution to bring power and data to the workstation and meeting room. Available with 4 or 8 modules, Incara™ Pop up is available pre-equipped with power functions (power socket and USB charger) or to be equipped with power, data or A/V functions from the Mosaic range.

2. RANGE

2.1 Pop up equipped

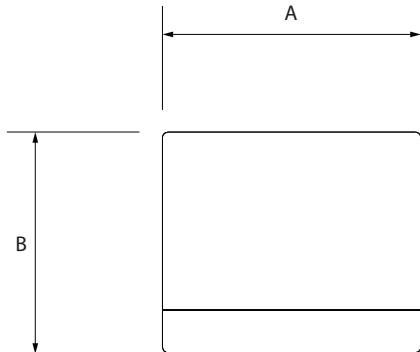
Incara™ Pop Up equipped with 2 m cord & 2P+E plug			Standard Franco/Belgian	
			Stainless steel	White
4 modules	1x 2P+E	1 USB A+C	6 548 16	6 548 17
		1 USB C 30 W PD	6 548 27	-
8 modules	3x 2P+E	1 USB A+C	6 548 20	-

2.2. Pop up to be equipped

Incara™ Pop Up to be equipped	Finishes			
	Stainless steel	White	Black	Aluminium
4 modules	6 548 00	6 548 01	6 548 02	6 548 03
8 modules	6 548 08	6 548 09	6 548 10	6 548 11

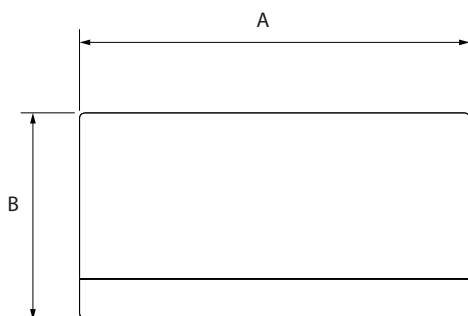
3. DIMENSIONS

■ **3.1 Incara™ Pop Up 4 modules**



Cat. Nos	A	B
6 548 00/01/02/03/16/17/27	146	125

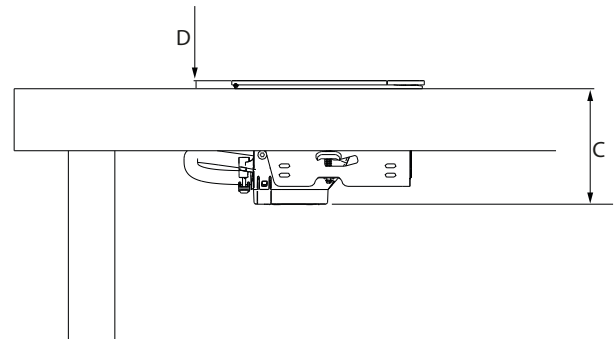
■ **3.2 Incara™ Pop Up 8 modules**



Cat. Nos	A	B
6 548 08/09/10/11/20	236	125

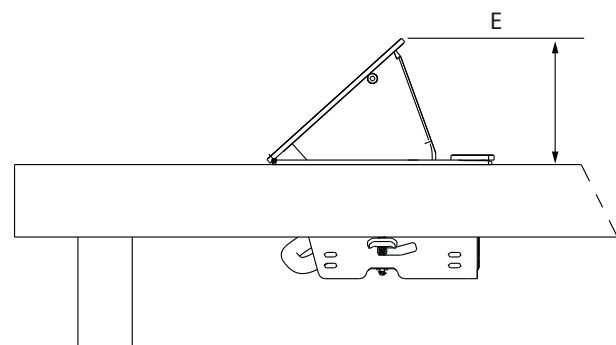
3. DIMENSIONS (cont.)

■ **3.3 Incara™ Pop Up closed position**



Cat. Nos	C	D
6 548 00/01/02/03/08/09/10/11/16/17/20/27	75	5,2

■ **3.4 Incara™ Pop Up opened position**



Cat. Nos	E
6 548 00/01/02/03/08/09/10/11/16/17/20/27	70

4. INSTALLATION

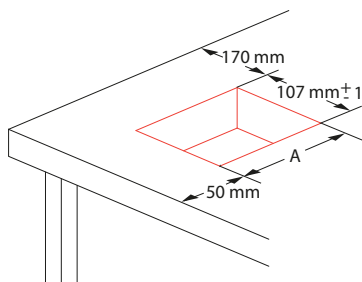
Must not be fitted on the floor.

■ **4.1 Into the desk**

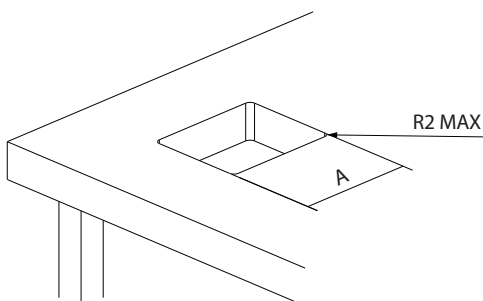
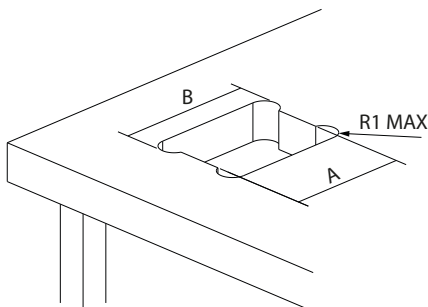
4.1.1 Drilling dimensions and max cut-out radius in corners

4.1.2.1 Sharp edges cut-out

	A
6 548 00/01/02/03/16/17/ 27	129 mm ± 1
6 548 08/09/10/11/20	219 mm ± 1



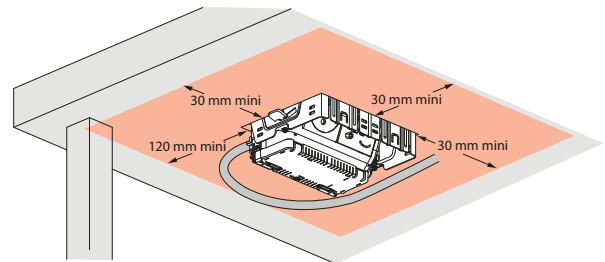
4.1.2.2 CNC machining cut-out



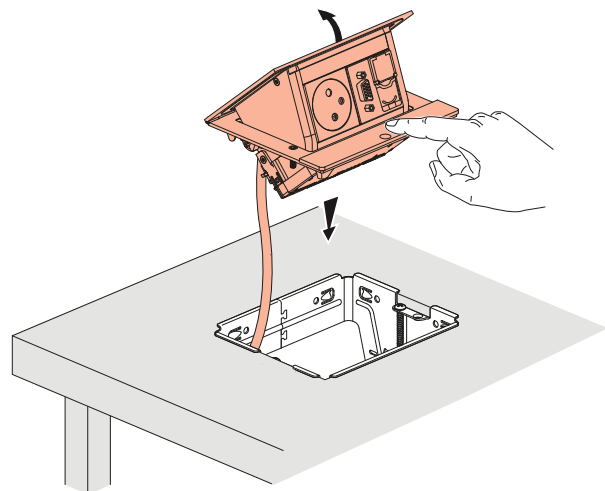
Pop Up	A	B	R1 MAX	R2 MAX
4 modules	129 mm ± 1	135 maxi	12	6
8 modules	219 mm ± 1	225 maxi		

4. iNSTALLATION (cont.)

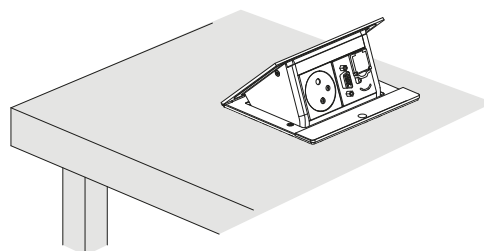
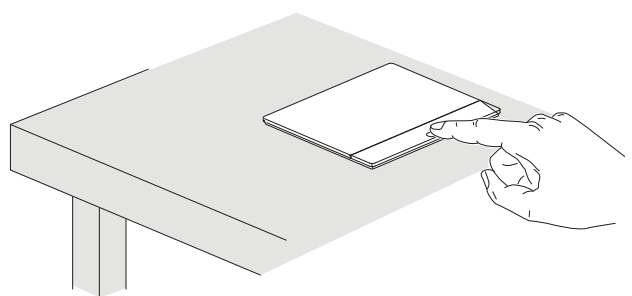
4.1.2 Dimensions under desk



4.1.3 Insertion



4.1.4 Use



5. TECHNICAL CHARACTERISTICS

■ 5.1 Mechanical characteristics

Resistance to Impact: IK 07 (part on desk)
IK 04 (part under desk)
Degree of protection provided by enclosures: IP 20

■ 5.2 Material characteristics

Wiring devices frame: Aluminium, Zamak, ABS
Insulation box: PC-ABS
Support: Steel

■ 5.3 Electrical characteristics

5.3.1 2 P+T plugs characteristics

16A-250V~50/60 Hz, 3680W Max

5.3.2 USB charger characteristics

refer to technical data sheet of USB charger for cat. nos 0 775 92
and 0 775 85L

5.3.3 Cords characteristics

H05VV-F 3G 1.5mm²

■ 5.4 Climate characteristics

Operating temperature: from -5°C to +35°C
Storage temperature: from -10°C to +70°C

6. CLEANING

Superficial cleaning with a soft cloth. Do not use abrasive products or detergents.

Caution : Always test before using other special cleaning products

7. STANDARDS AND APPROVALS

Compliant to NF C61-314 et IEC 60884-1
USB charger compliant to IEC 62368-1