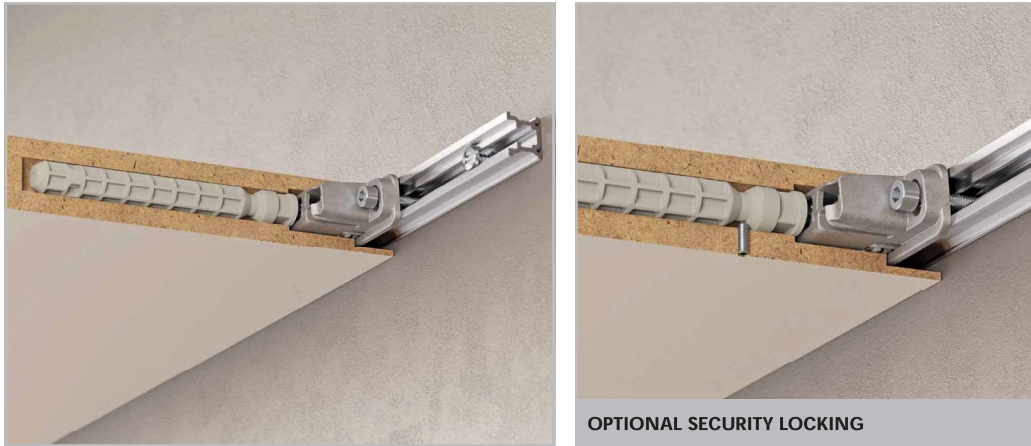
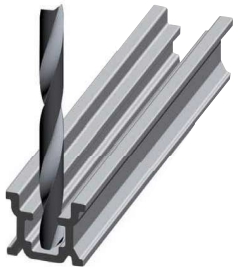


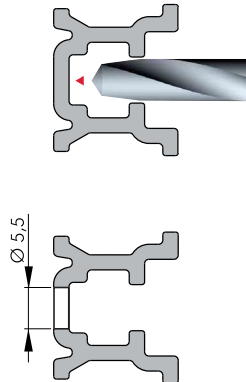
TRIADE PRO AND TRIADE PRO MINI ALUMINIUM PROFILES



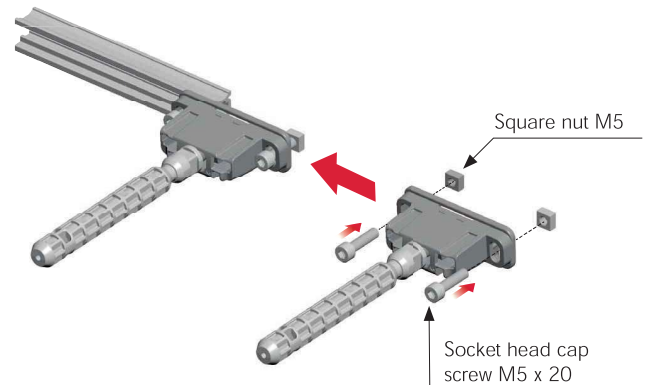
ALUMINIUM PROFILE DRILLING



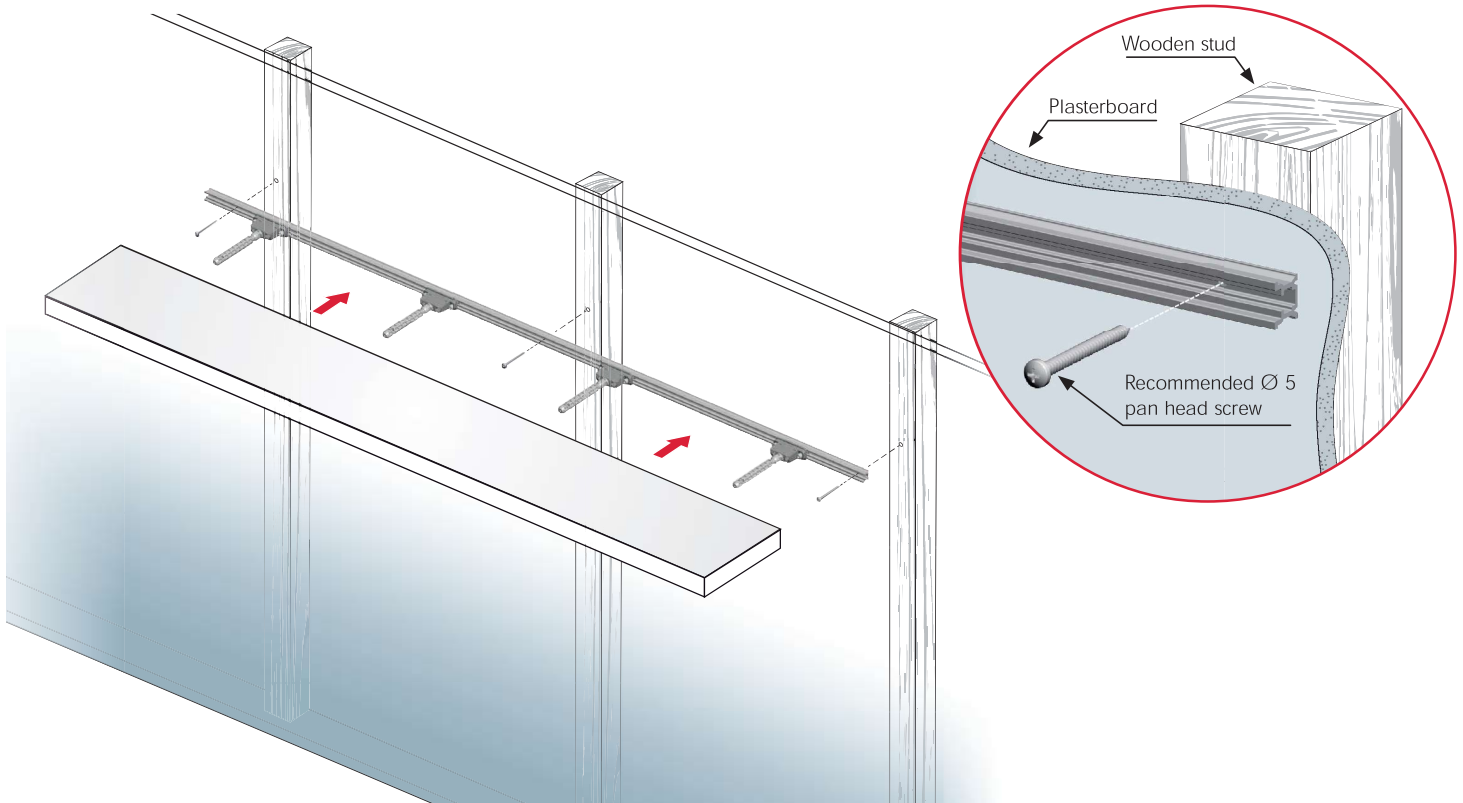
DRILLING DETAILS



TRIADE PRO INSERTION INTO THE ALUMINIUM PROFILE

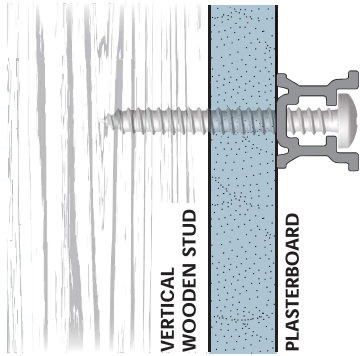


INSTALLATION ON THE WALL AND SHELF INSERTING

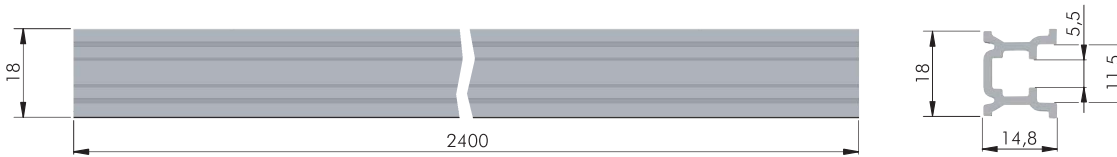




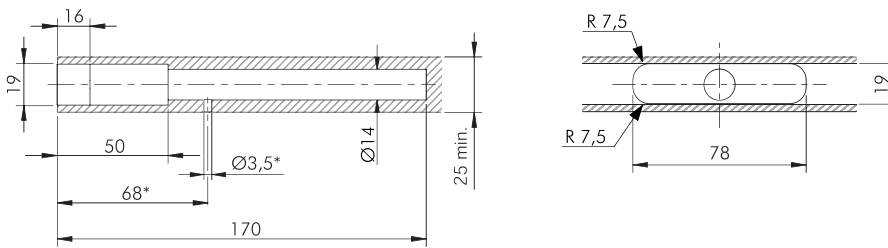
TRIADE PRO MINI AND TRIADE PRO ALUMINIUM PROFILE



AL	= 24 pcs.
123	
690240000	
Further profile lengths available on request.	

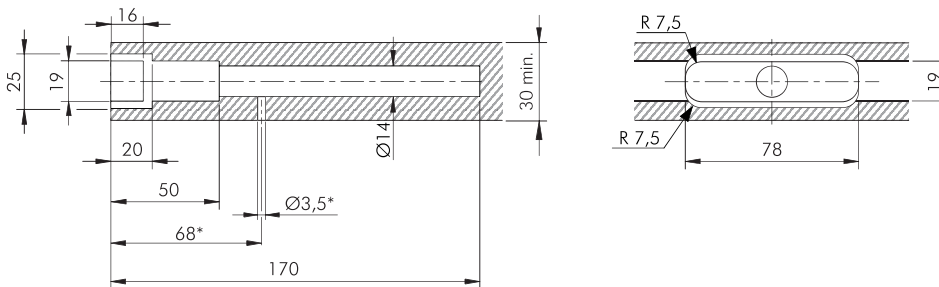


DRILLING PLAN FOR THE APPLICATION WITH TRIADE PRO MINI



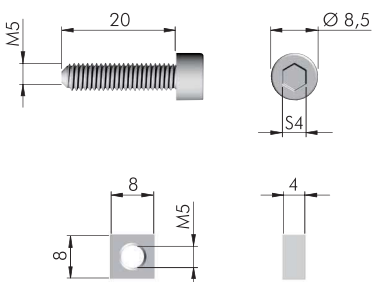
* Optional drilling for security locking with M4 grub screw placed underneath in alignment with the cavity. For details refer to Triade Pro Mini section.

DRILLING PLAN FOR THE APPLICATION WITH TRIADE PRO



* Optional drilling for security locking with M4 grub screw placed underneath in alignment with the cavity. For details refer to Triade Pro section.

ACCESSORY TO FIX ALL TRIADE PRO VERSIONS TO ALU PROFILES



ST	= on request
123	
C010001328	

NOTE: Set of 4 x Square nuts and 4 x Socket-head cap screws.