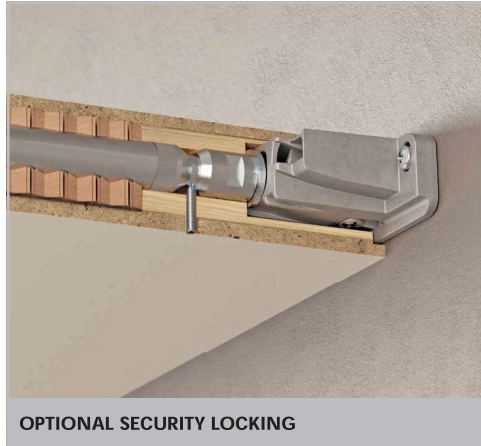
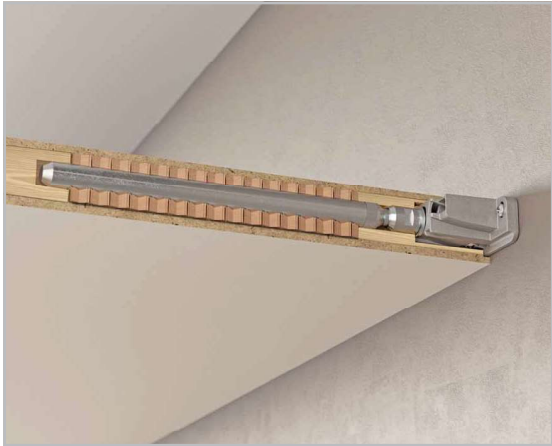




## TRIADE PRO XXL



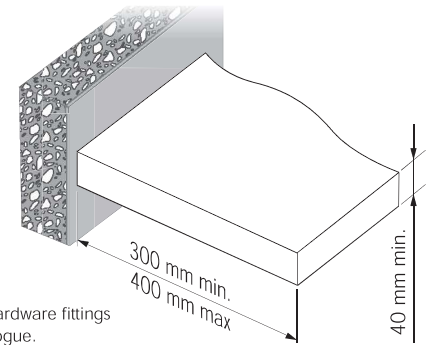
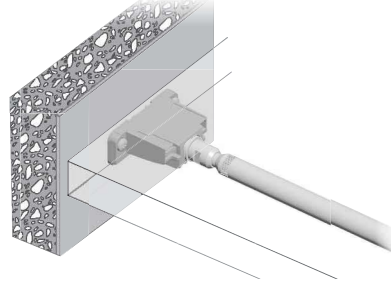
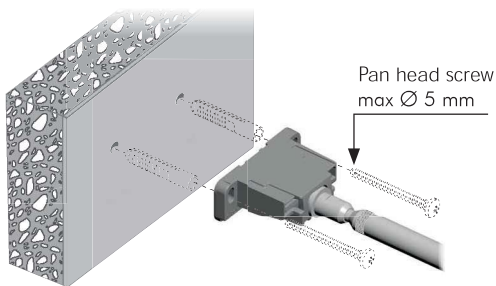
40 mm min.



40 kg per pair  
for shelf 400 mm deep

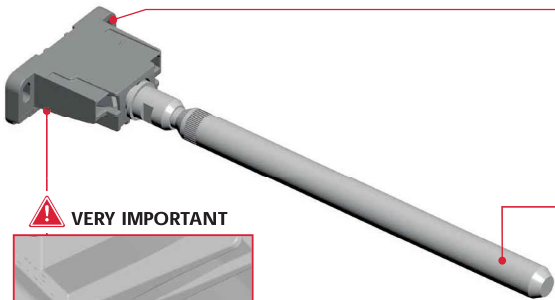


### SPECIFICATION



It is the responsibility of the customer: to ensure the wall is of a suitable quality to hold the shelf fixing in place and to use the proper hardware fittings according to the construction of the wall. For more specific information, please refer to the WARNINGS section at the end of the catalogue.

### ADJUSTMENT

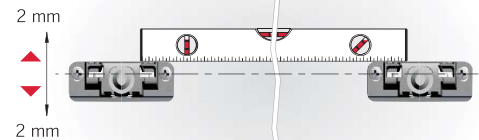
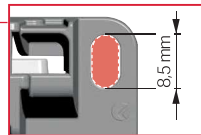


**VERY IMPORTANT**

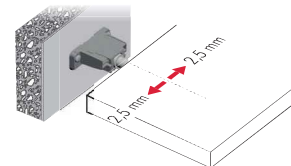
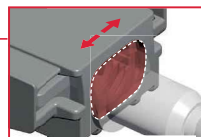


Screw to lock when adjustments are finished.

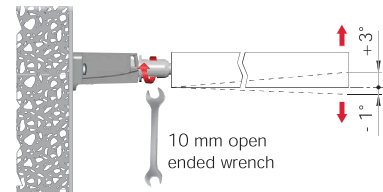
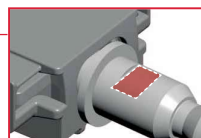
### BRACKET ALIGNMENT



### LATERAL ADJUSTMENT

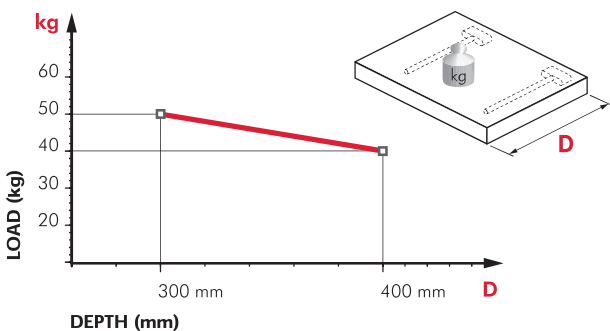


### INCLINATION ADJUSTMENT

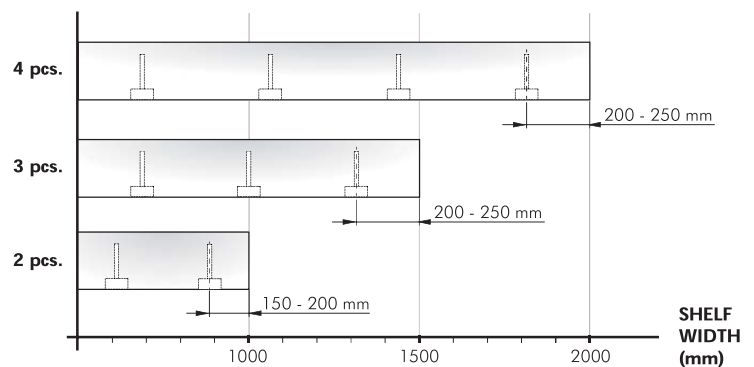


### CAPACITY LOADING CHART

(The figures refer to 2 shelf supports)



### RECOMMENDED NUMBER OF TRIADE PRO XXL PER SHELF





= PZ2



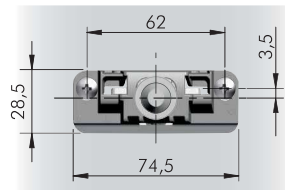
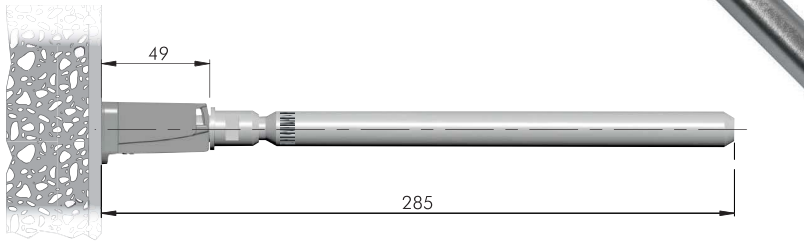
= open ended  
wrench 12 mm



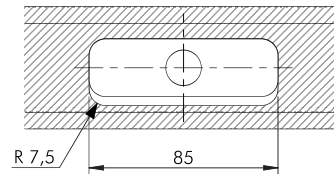
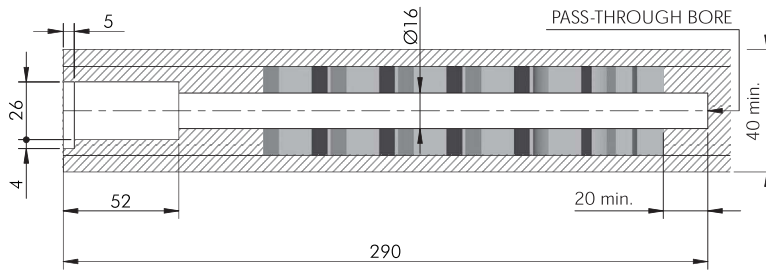
= 25 pcs.



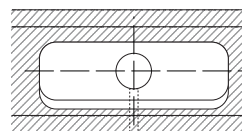
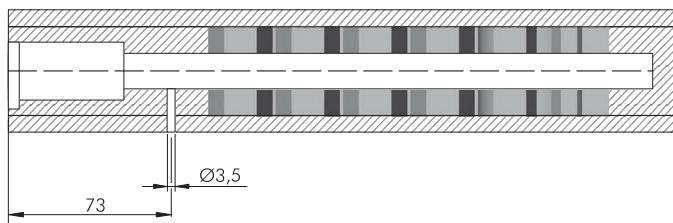
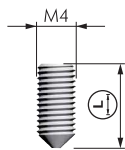
**P220203000**



**VERY IMPORTANT**  
Centre of the hole is  
shifted 3,5 mm upwards.  
Please keep in mind when  
levelling the shelf.



## OPTIONAL DRILLING FOR SECURITY LOCKING



= S2



= 100 pcs.



**21105190ZN**



14

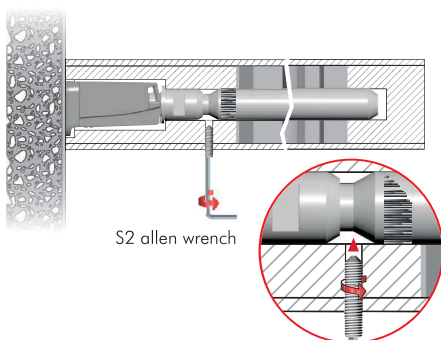


40

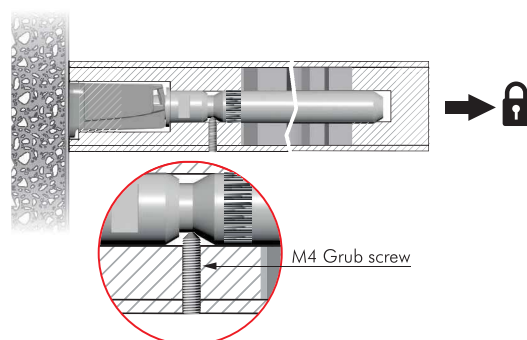
**21105060ZN**

20

50



S2 allen wrench

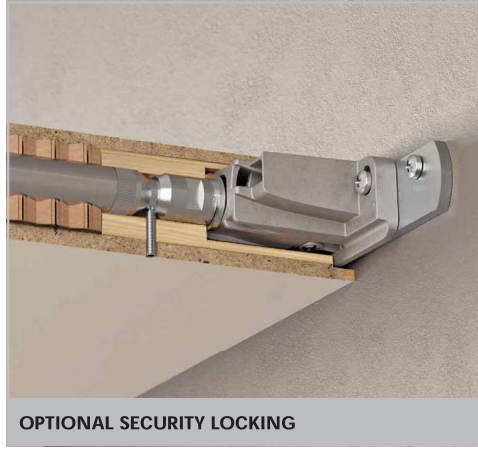
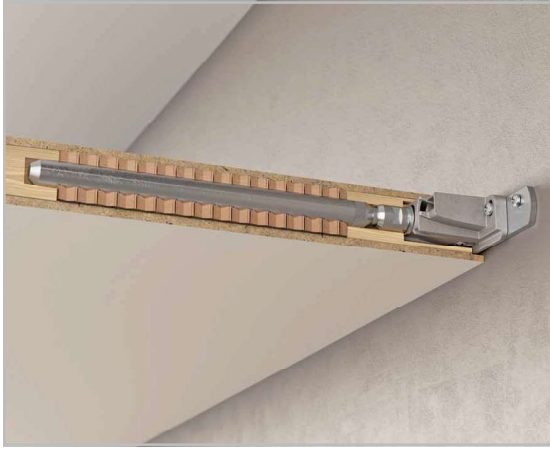


M4 Grub screw

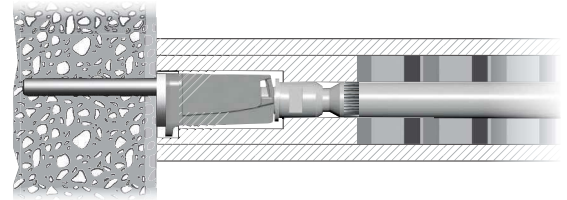
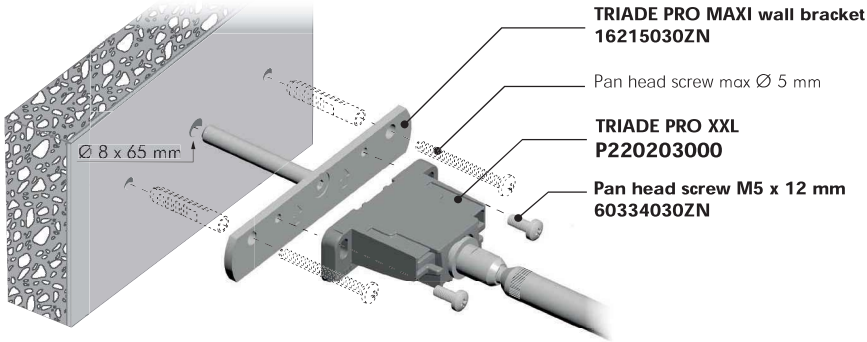




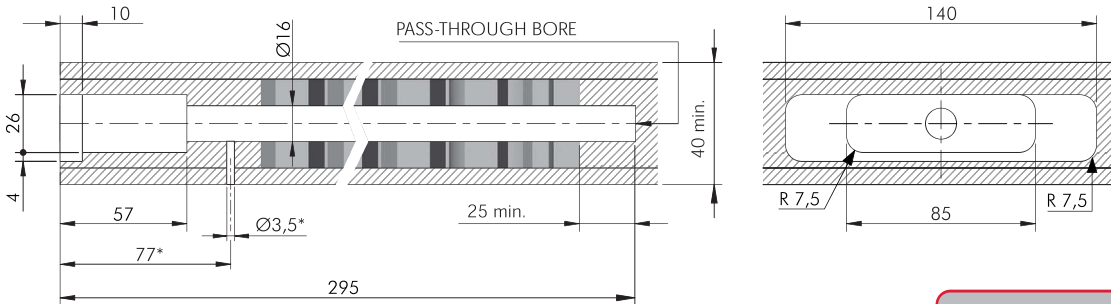
## TRIADE PRO XXL AND BRACKET



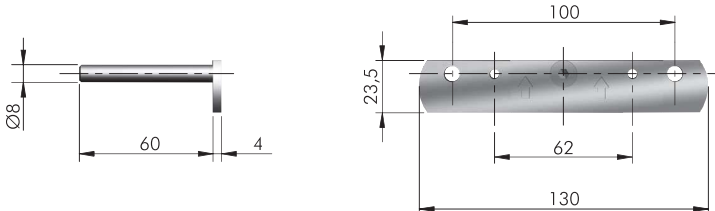
OPTIONAL SECURITY LOCKING



It is the responsibility of the customer: to ensure the wall is of a suitable quality to hold the shelf fixing in place and to use the proper hardware fittings according to the construction of the wall. For more specific information, please refer to the WARNINGS section at the end of the catalogue.



\* Optional drilling for security locking with M4 grub screw placed underneath in alignment with the cavity. For details refer to Triade Pro XXL section.



## FIXING ACCESSORY



ST = 100 pcs.

123

**16215030ZN**

= M5 = PZ2

ST = 7000 pcs.

123

**60334030ZN**

## TRIADE PRO MAXI AND XXL ALUMINIUM PROFILES

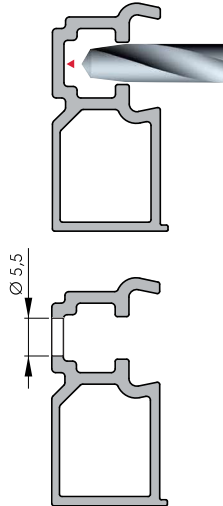


OPTIONAL SECURITY LOCKING

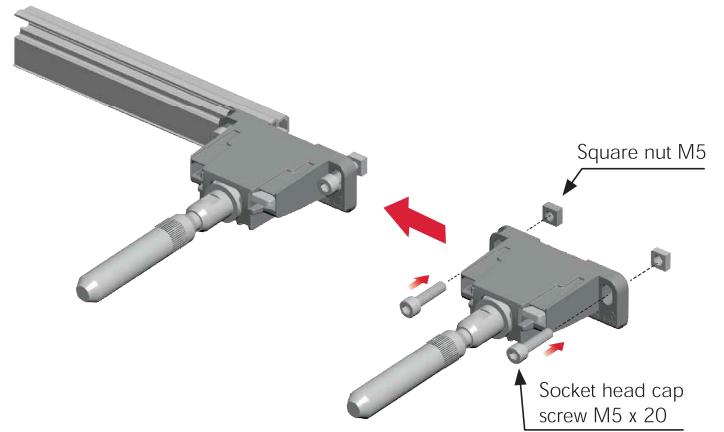
### ALUMINIUM PROFILE DRILLING



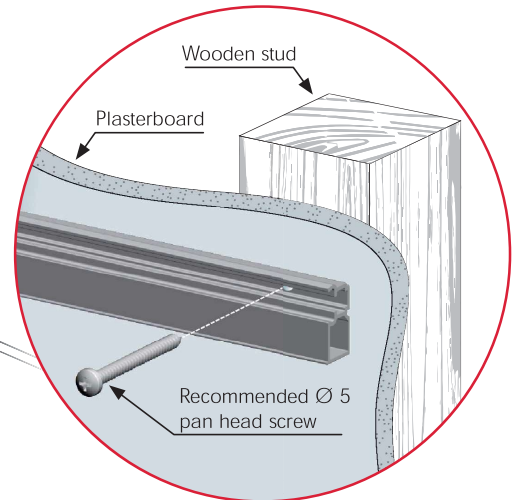
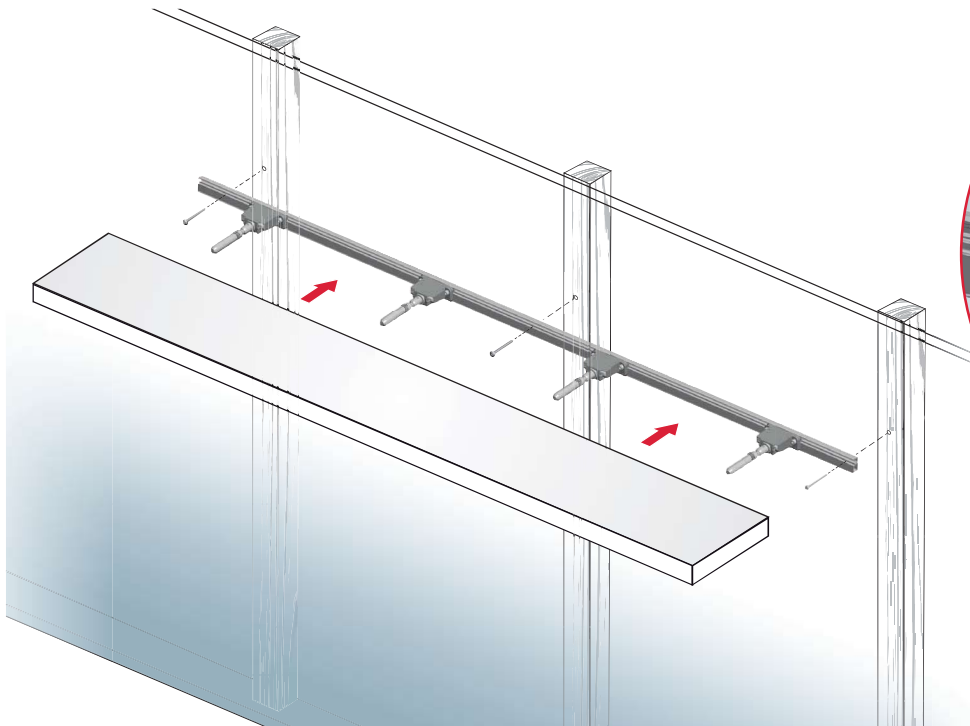
### DRILLING DETAILS



### TRIADE INSERTION INTO THE ALUMINIUM PROFILE

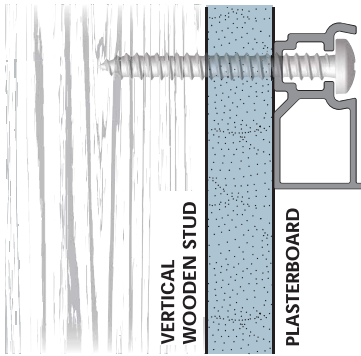


### INSTALLATION ON THE WALL AND SHELF INSERTING





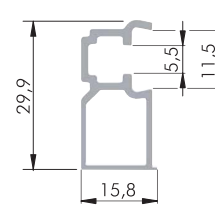
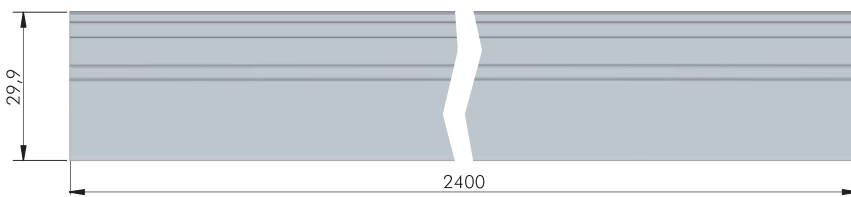
## TRIADE PRO MAXI AND TRIADE PRO XXL ALUMINIUM PROFILE



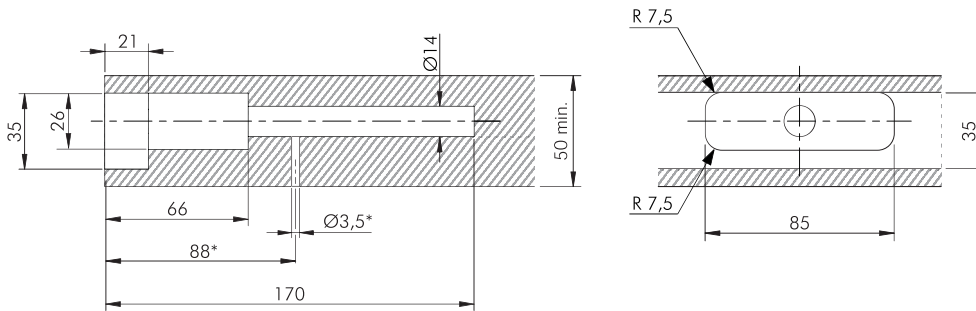
AL = 12 pcs.

691240000

Further profile lengths available on request.

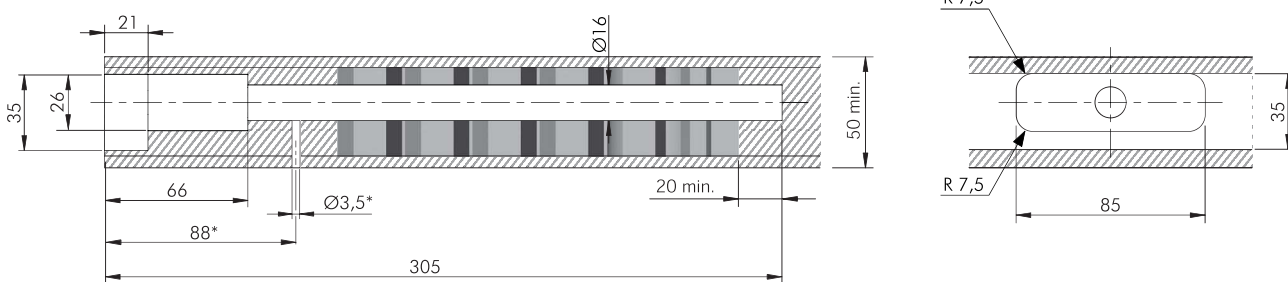


### DRILLING PLAN FOR THE APPLICATION WITH TRIADE PRO MAXI



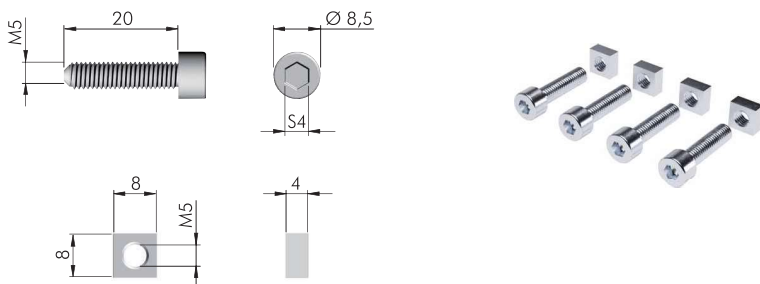
\* Optional drilling for security locking with M4 grub screw placed underneath in alignment with the cavity. For details refer to Triade Pro Maxi section.

### DRILLING PLAN FOR THE APPLICATION WITH TRIADE PRO XXL



\* Optional drilling for security locking with M4 grub screw placed underneath in alignment with the cavity. For details refer to Triade Pro XXL section.

## ACCESSORY TO FIX ALL TRIADE PRO VERSIONS TO ALU PROFILES



ST = on request

C010001328

NOTE: Set of 4 x Square nuts and 4 x Socket-head cap screws.