

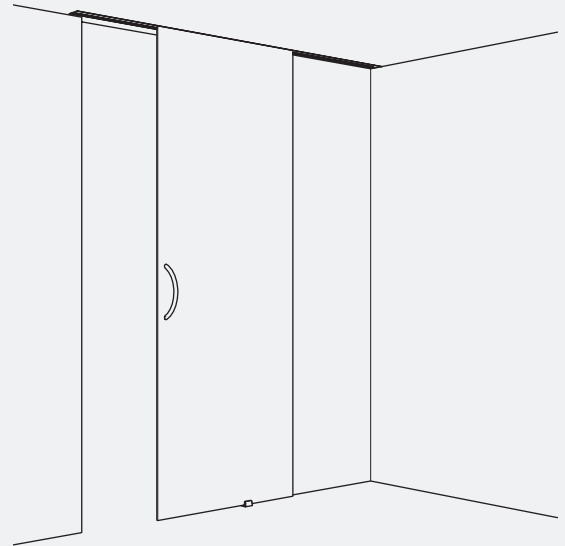
Fitting for top-running glass doors up to 100 kg (220 lbs.), with surface mounted running track or running track flush with the ceiling. Optionally with soft and self closing mechanism. Wall or ceiling mounting.

Product highlights

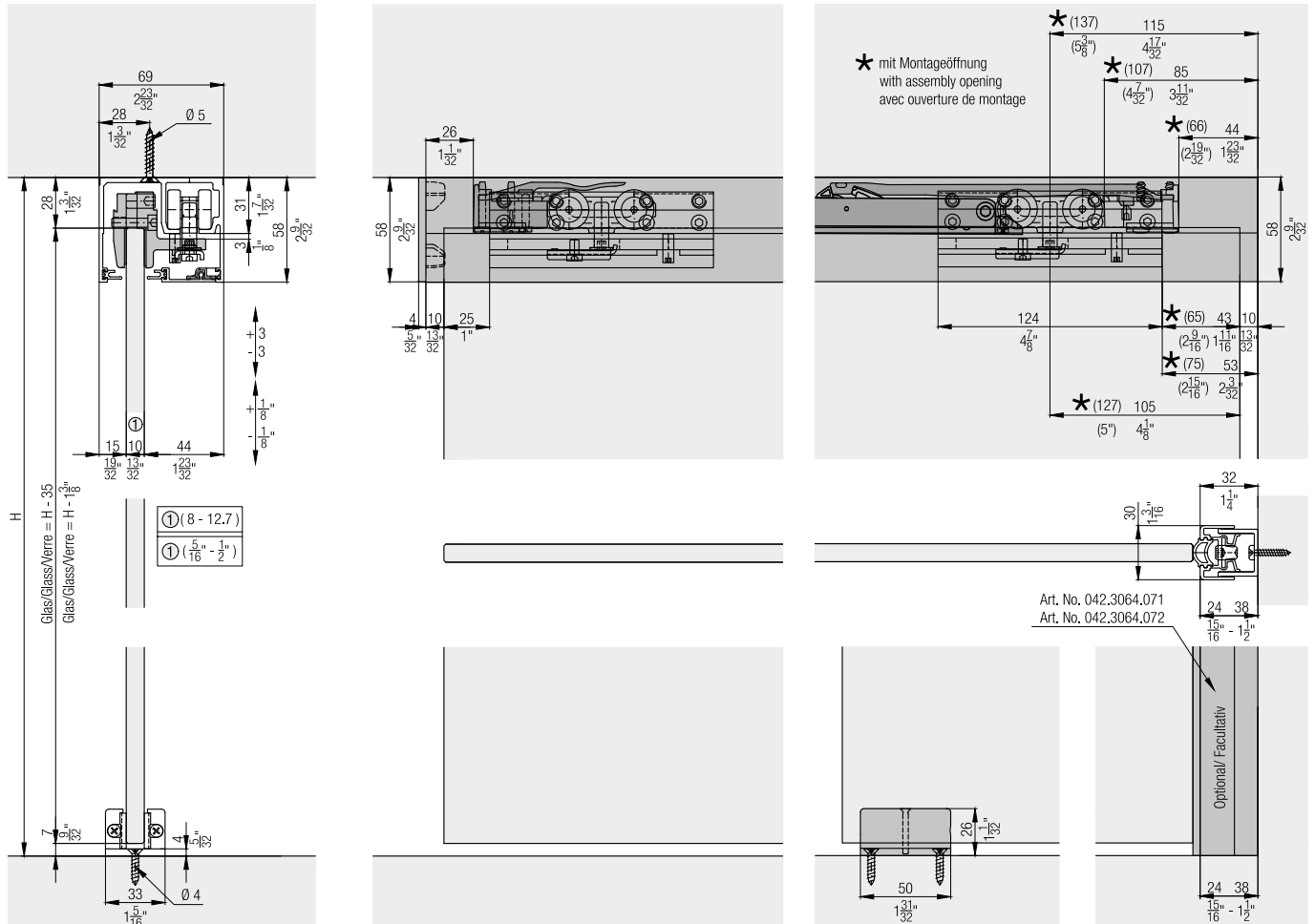
- Flexibility** Wall mounting, ceiling integration or surface mounting on the ceiling possible
- Aesthetics** The technology is almost invisible, since it is contained within the ceiling-integrated running profile

Technical specifications

- Max. 100 kg (220 lbs.)
- Max. 2700 mm (8'10 5/16")
- Max. 1600 mm (5'3")
- 8–12.7 mm (5/16" to 1/2")



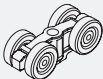
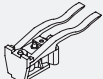


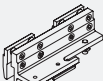
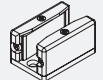

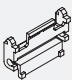

Installation examples




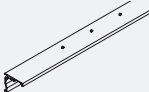

Set for ceiling or wall mounting, for 1 glass door up to 100 kg (220 lbs.)

	No.
Hawa Porta 100 GW, for 1 door	057.3091.071

Set consisting of:

		057.3091.071	No.
	Running gear, ball bearing, rollers plastic white	2	057.3114.071
	Stopper, with retention spring, plastic, gray	1	057.3073.072
	Stopper, without retention spring, plastic, gray	1	057.3073.071
	Suspension bolt, M8x25 mm, flat head, steel, black	2	600.0000.473
	Clamping shoe, glass thickness 6–12.7 mm (1/4"–1/2"), aluminum	2	057.3087.071
	Bottom guide, playfree adjustable, glass thickness 8–12.7 mm (5/16"–1/2"), chrome-plated, mat	1	057.3082.071
	Wall buffer, 19x10 mm (3/4"x13/32"), rubber, black	1	024.0002.046
	Clip for panel, every 300 mm (11 13/16"), plastic, gray, 12-piece set	1	057.3086.051
	Countersunk head screw, 4x20 mm (5/32"x25/32"), steel, zinc-plated	3	766.5042.120


Running tracks

		mm (inch)	No.
	Running track, aluminum, anodized, pre-drilled	2,500 (8' 2 7/16")	057.3083.250
		3,500 (11' 5 25/32")	057.3083.350
		6,000 (19' 8 7/32")	057.3083.600
	Running track,, aluminum, anodized, pre-drilled	cut to size	057.3083.990
	Wall mounting angle profile, aluminum, anodized, pre-drilled	2,500 (8' 2 7/16")	057.3100.250
		cut to size	057.3100.990
	Disposable cover Hawa Porta 100 GW/ GWF, plastic, black	2,000 (6' 6 3/4 ")	057.3089.001
		cut to size	057.3089.990



Screw set

	No.
Screw set for angle profile, 12-piece set	057.3102.071

Set consisting of:

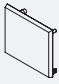
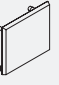

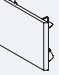
		057.3102.071	No.
	Thread rolling countersunk head screw, M5x10 mm (3/16"x13/32"), steel, zinc-plated	12	600.0000.345

Panels

		mm (inch)	No.
	Panel profile, aluminum, anodized	2,500 (8' 2 7/16")	057.3085.250
		3,500 (11' 5 25/32")	057.3085.350
		6,000 (19' 8 7/32")	057.3085.600
		cut to size	057.3085.990
	Screening seal for fascias, plastic, black	20,000 (65' 7 13/32")	057.3078.002

End cap set





	No.
End cap set for angle profile, plastic, anthracite, with screws for tracks up to 2500 mm (8'2 7/16")	057.3103.071
End cap, ceiling mounting, plastic, anthracite	057.3118.071

Set consisting of:		057.3103.071	057.3118.071	No.
	End cap, left, plastic, anthracite	1		057.3101.002
	End cap, right, plastic, anthracite	1		057.3101.001
	Screw set for angle profile, 12-piece set	1		057.3102.071
	End cap, ceiling mounting, plastic, anthracite		2	057.3118.001

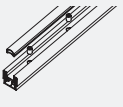
Soft close

For soft closing in opening and closing direction
order 2 sets.

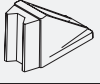
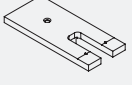
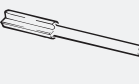

	No.
Soft close Hawa Porta 100, Divido 100, 61–100 kg (133–220 lbs.), 1 piece	042.3102.071
Soft close Hawa Porta 60/100, Divido 100, 10–60 kg (22–132 lbs.), 1 piece	042.3102.072

Set consisting of:		042.3102.071	042.3102.072	No.
	Soft close, top running, 61–100 kg (133 to 220 lbs.), plastic	1		042.3106.071
	Trigger for soft close in buildings, zinc die casting	1	1	042.3105.001
	Screw set soft close	1	1	600.0000.566
	Soft close, top running, 10–60 kg (22 to 132 lbs.), plastic		1	042.3106.072

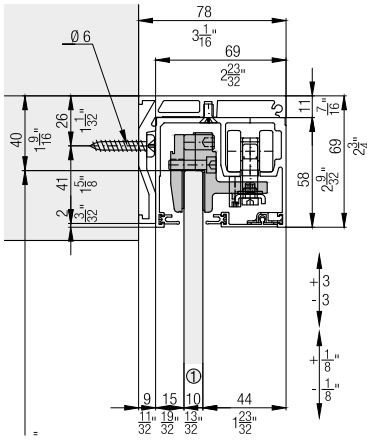
Wall compensation profiles

		mm (inch)	No.
	Wall compensation profile, with sealing profile gray, aluminum, anodized	2,500 (8' 2 7/16")	042.3064.071
		3,000 (9' 10 1/8")	042.3064.072

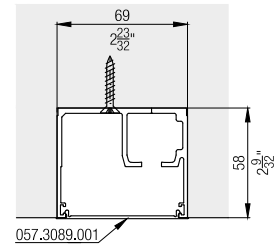
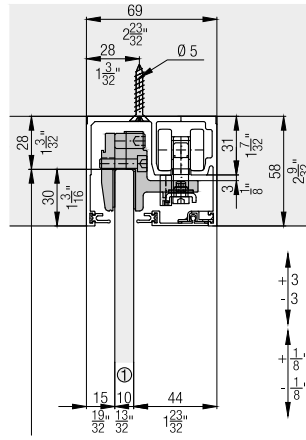
Accessories

		No.
	Bottom door stopper, with centering, chrome-plated, matt	20773
	Routing jig for assembly opening	042.3118.071
	Groove cutter to routing jig, Ø= 10 mm (13/32"), hard metal	600.0000.309
	Track cleaner, plastic, blue	057.3099.071

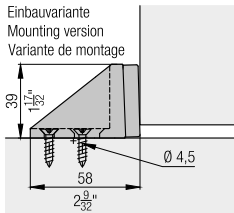
Wall mounting



Ceiling integration



Bottom door stopper



Soft close

*	Z =					
	1			2		
	0	1	2	0	1	2
Hawa Porta 60/100 H/H/C	1' 6 29/32"	1' 9 1/16"	1' 11 1/4"	2' 4 3/4"	2' 6 29/32"	2' 9 3/32"
Hawa Porta 60/100 HM/HMD/HMT	1' 6 29/32"	1' 9 1/16"	1' 11 1/4"	2' 4 3/4"	2' 6 29/32"	2' 9 3/32"
Hawa Porta 100 G/GU/GM/GMT	1' 6 29/32"	1' 9 1/16"	1' 11 1/4"	2' 4 3/4"	2' 6 29/32"	2' 9 3/32"
Hawa Porta 100 GF	1' 6 29/32"	X	X	2' 4 3/4"	X	X
Hawa Porta 100 GW/GWF	1' 8 5/32"	1' 9 11/32"	1' 11 1/4"	2' 6"	2' 6 29/32"	2' 7 3/16"
Hawa Porta 100 GMD	1' 7 7/32"	1' 9 7/32"	1' 11 1/4"	2' 5 1/16"	2' 7 1/16"	2' 7 3/16"
Hawa Divido 100 H/HM/GR	1' 6 29/32"	1' 9 1/16"	1' 11 1/4"	2' 4 3/4"	2' 6 29/32"	2' 9 3/32"
Hawa Divido 100 GRM	1' 8 5/32"	1' 10 11/32"	1' 0 1/2"	2' 6"	2' 8 5/32"	2' 10 11/32"

*	Z =					
	1			2		
	0	1	2	0	1	2
Hawa Porta 60/100 H/H/C	480	535	590	730	785	840
Hawa Porta 60/100 HM/HMD/HMT	480	535	590	730	785	840
Hawa Porta 100 G/GU/GM/GMT	480	535	590	730	785	840
Hawa Porta 100 GF	480		730			
Hawa Porta 100 GW/GWF	512	542	590	762	792	840
Hawa Porta 100 GMD	488	539	590	738	789	840
Hawa Divido 100 H/HM/GR	480	535	590	730	785	840
Hawa Divido 100 GRM	512	567	622	762	817	872

* Montageöffnung assembly opening ouverture de montage

Accessories

- Lock solutions from page 511
- General accessories from page 518
- Glass recommendations from page 536

Planning/execution

Further information about the product can be found on www.hawa.com.