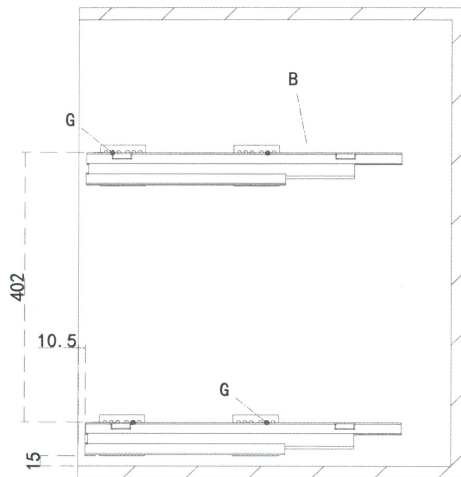


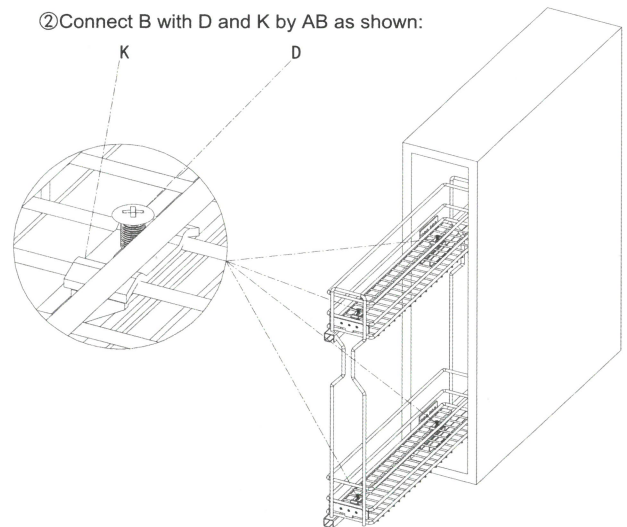
CODE	description	Potos	QTY(pcs)	CODE	description	Potos	QTY(pcs)	CODE	description	Potos	QTY(pcs)	CODE	description	Potos	QTY(pcs)
A		basket	1	B		concealed slide	1	C		Connector	2	D		M4x8 screw	4
E		M5x10 screw	4	F		M5X16 screw	2	G		M4 screw	16	H		separator	4
I		mat	2	J		Ball bearing slide	1	K		connector	4	L		connector	4
M		M4x12 screw	4												

1. Installation of Concealed soft close slide

① Fix B by G on the cabinet as shown:



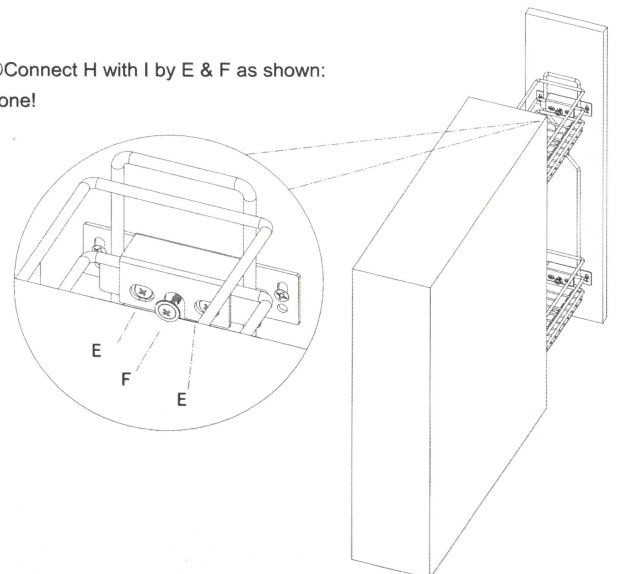
② Connect B with D and K by AB as shown:



③ Fix C by G on the door as shown:

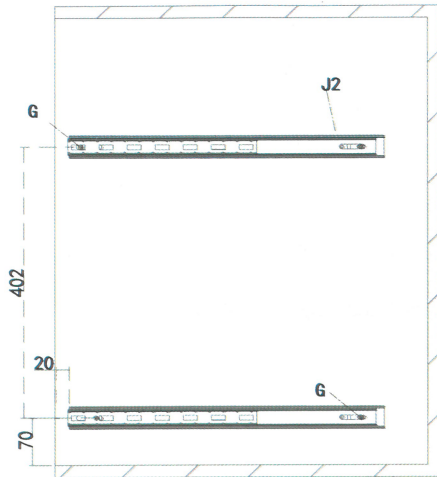


④ Connect H with I by E & F as shown:
Done!

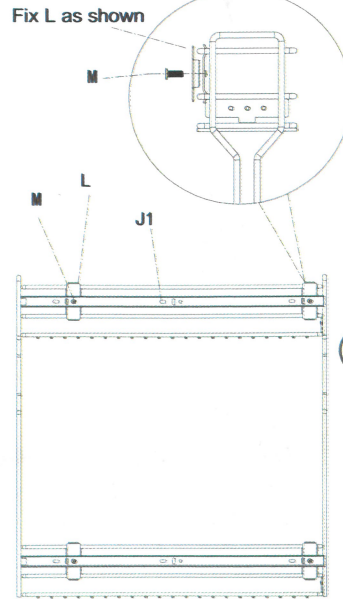


2. Installation of Ball bearing normal slide

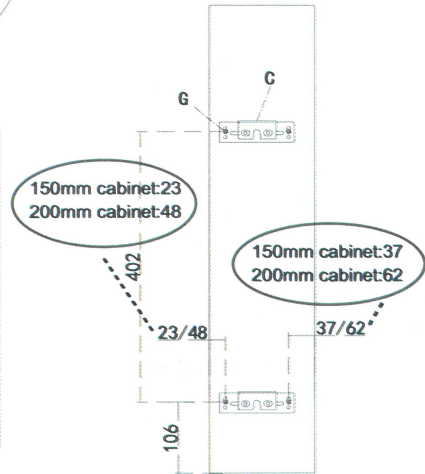
① Disassemble Slide J to two parts J1 & J2 and fix J2 on the cabinet's side panel as shown:



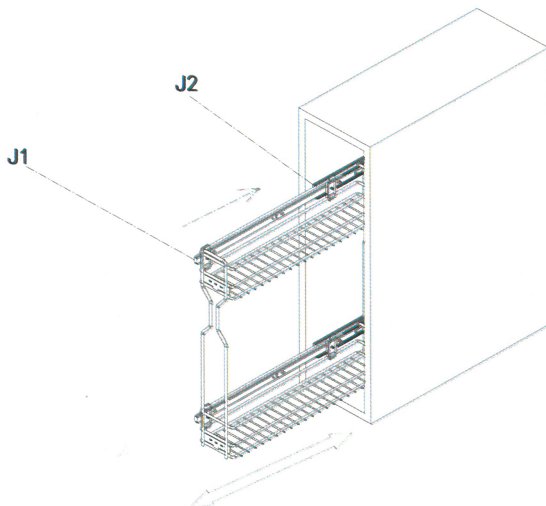
② Tighten L and J1 on the Basket A by M as shown:



③ Fix C on the door by Gas shown:



④ Assemble J1 into J2 and pull & open the basket for times to insure the slide in the right position.



⑤ Connect H with I by E & F as shown: Done!

