

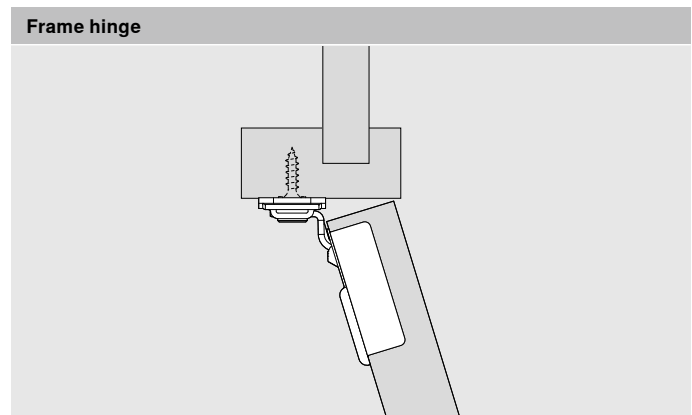
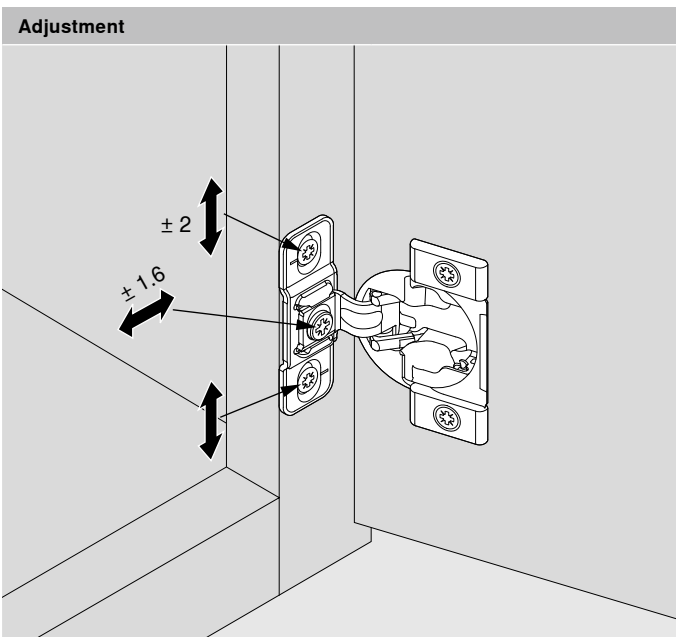
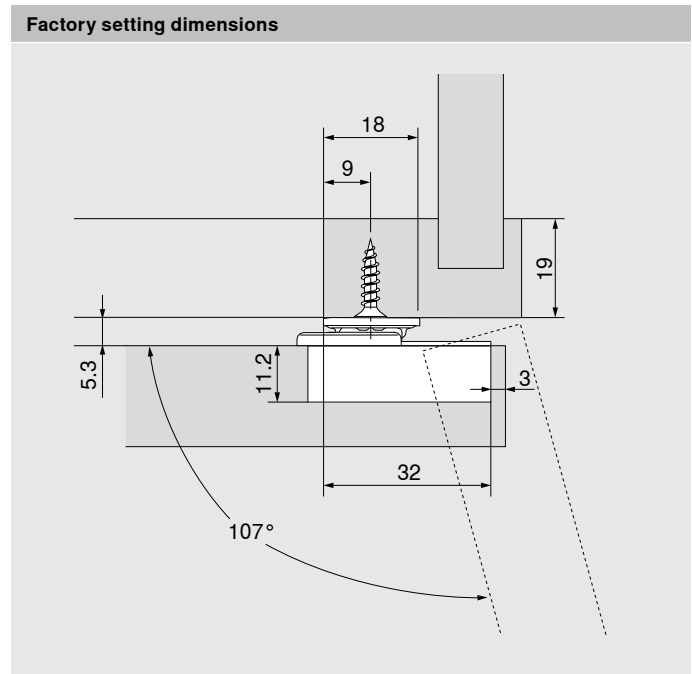
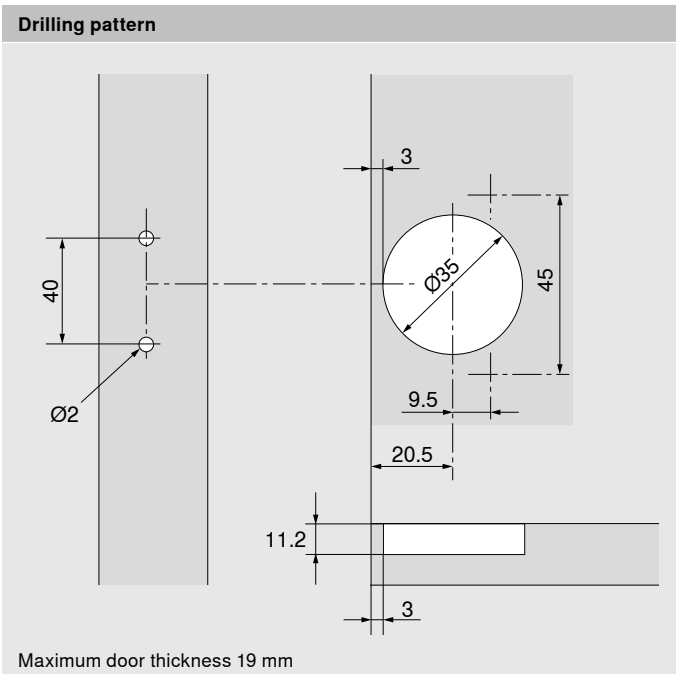
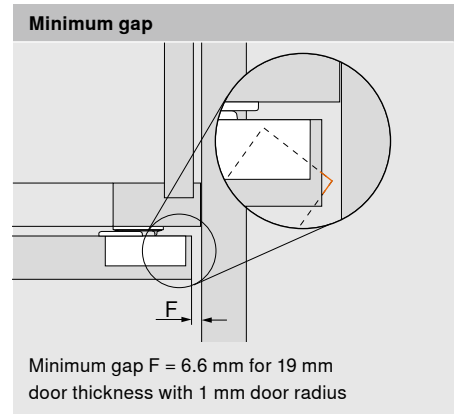
# COMPACT 38B

for frame applications

Technical data sheet



- Ideal for large front overlays from 35 mm
- Mounting at the front on the frame/on the cabinet front edge
- One-piece hinge including mounting plate



<b>Screw-on face frame hinge</b>	<b>Art.-Nr.</b>
Front overlay min. 35 mm	38B355AF22
<b>Fixing screw</b>	<b>Art.-Nr.</b>
Chipboard screw	609.1700

Julius Blum GmbH  
Furniture Fittings Mfg.  
6973 Höchst, Austria  
Tel.: +43 5578 705-0  
Fax: +43 5578 705-44  
E-mail: [info@blum.com](mailto:info@blum.com)  
[www.blum.com](http://www.blum.com)

Our sites in Austria, Poland and China are certified to the international standards mentioned below.  
Our site in the USA is certified to ISO 9001.  
Our site in Brazil is certified to ISO 9001, ISO 14001 and ISO 45001.



**ISO 9001**  
Certified Quality  
System



**ISO 14001**  
Certified Environmental  
System



**ISO 50001**  
Certified Energy  
System

 **blum**®



Look for our  
FSC™-certified  
products

All content is copyrighted by Blum.  
Subject to technical modifications and changes to the range without notice.  
TD-414/2 EN-AL/07.22