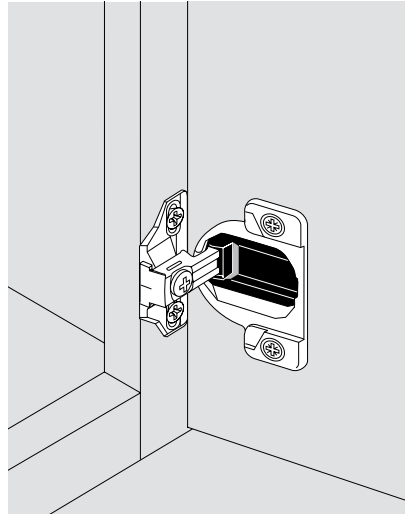
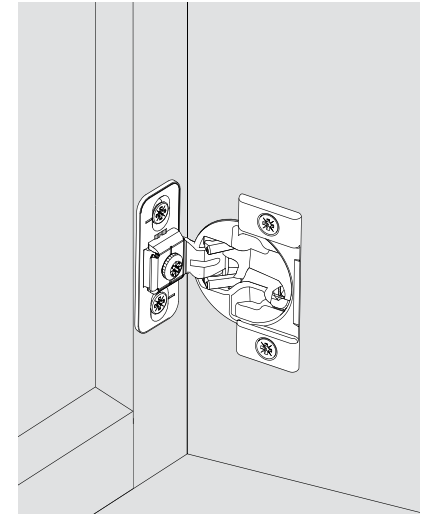
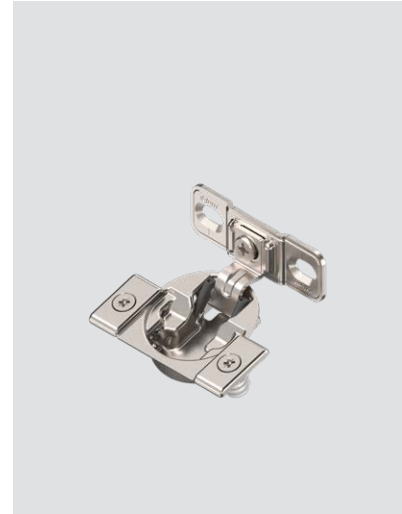


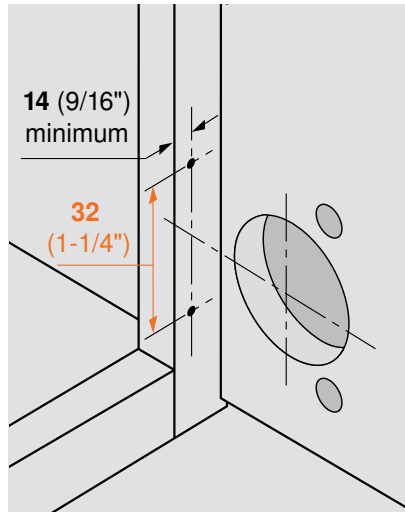
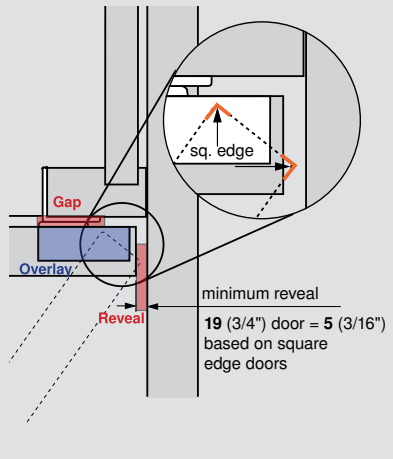
COMPACT 33



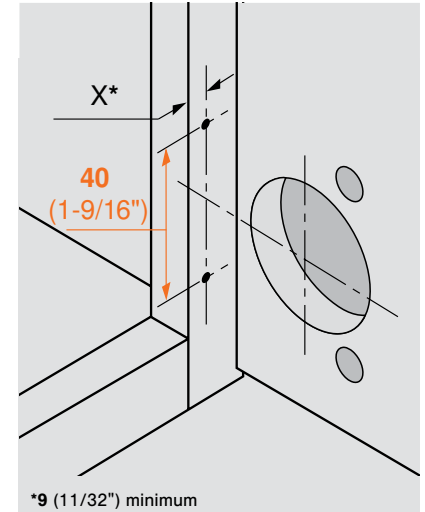
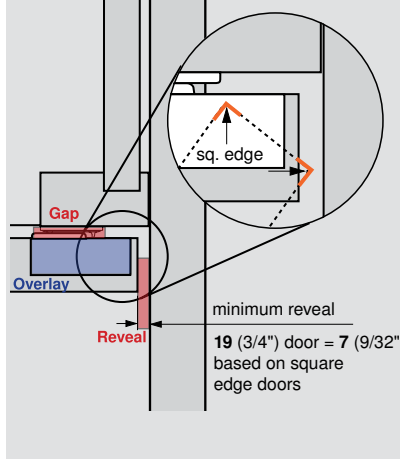
COMPACT 38B



Minimum Reveal

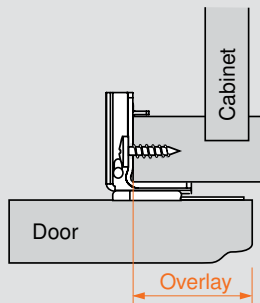
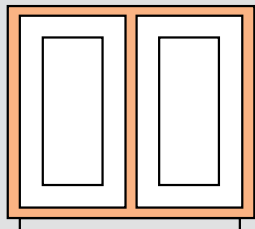


Minimum Reveal



| Overlay | X |
|---------------|--|
| 35 (1-3/8") | 9 (11/32") |
| 38 (1-1/2") | 12 (15/32") |
| 41 (1-5/8") | 15 (19/32") |
| 45 (1-3/4") | 18 (23/32") |
| > 45 (1-3/4") | Formula: X = OL - 35 (1-3/8") + 9 (11/32") |

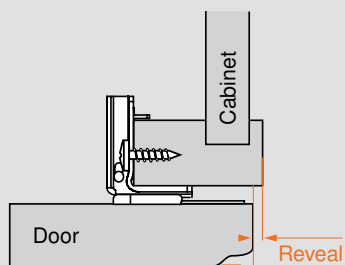
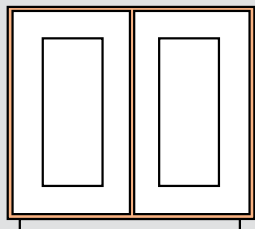
Overlay



Cabinet overlay refers to the amount the cabinet door overlaps the cabinet opening. The overlay dimension is how much bigger the door is than the cabinet frame.

— How to measure

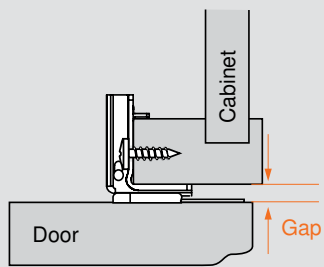
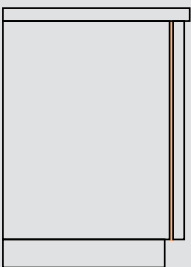
Reveal



A reveal is the portion of the cabinet frame left exposed after the door is attached. Even with full overlay applications, a reveal is needed

— How to measure

Gap



The gap is the distance between the cabinet door and the cabinet when looking at the side of the cabinet. The gap prevents the doors from binding.

— How to measure