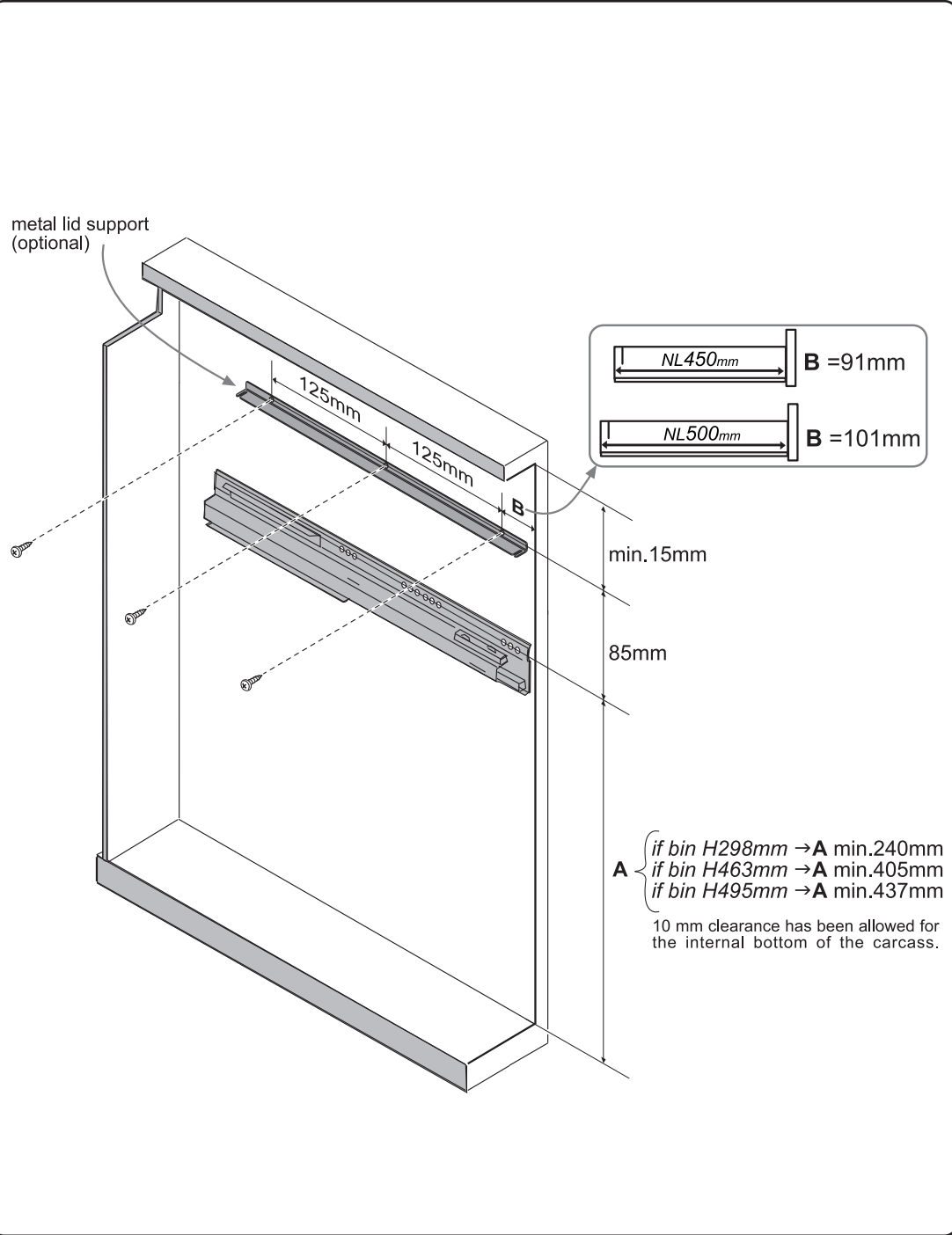
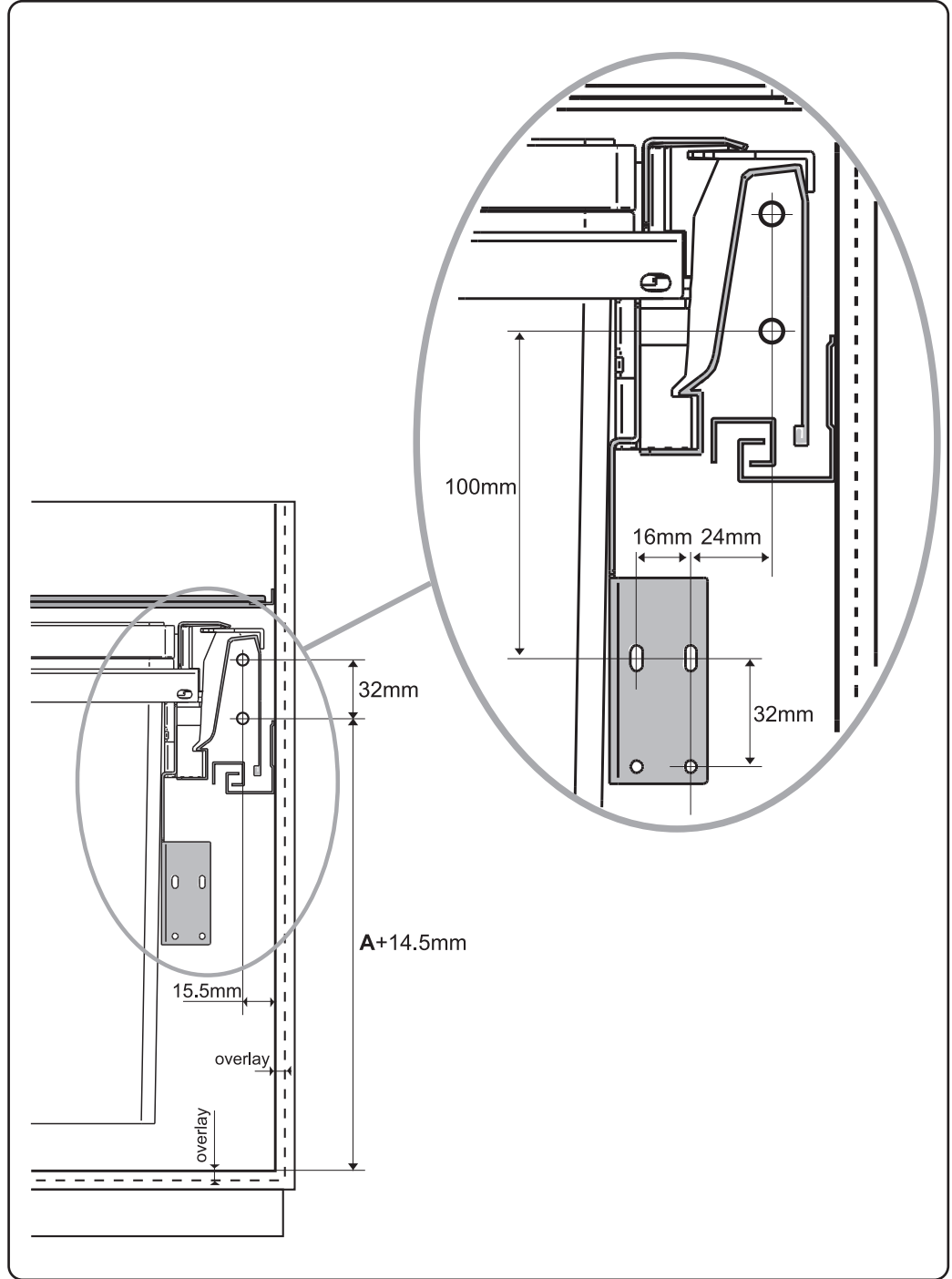


Blum Tandembox

Blum Tandembox carcass drawer runner & metal lid position (optional)

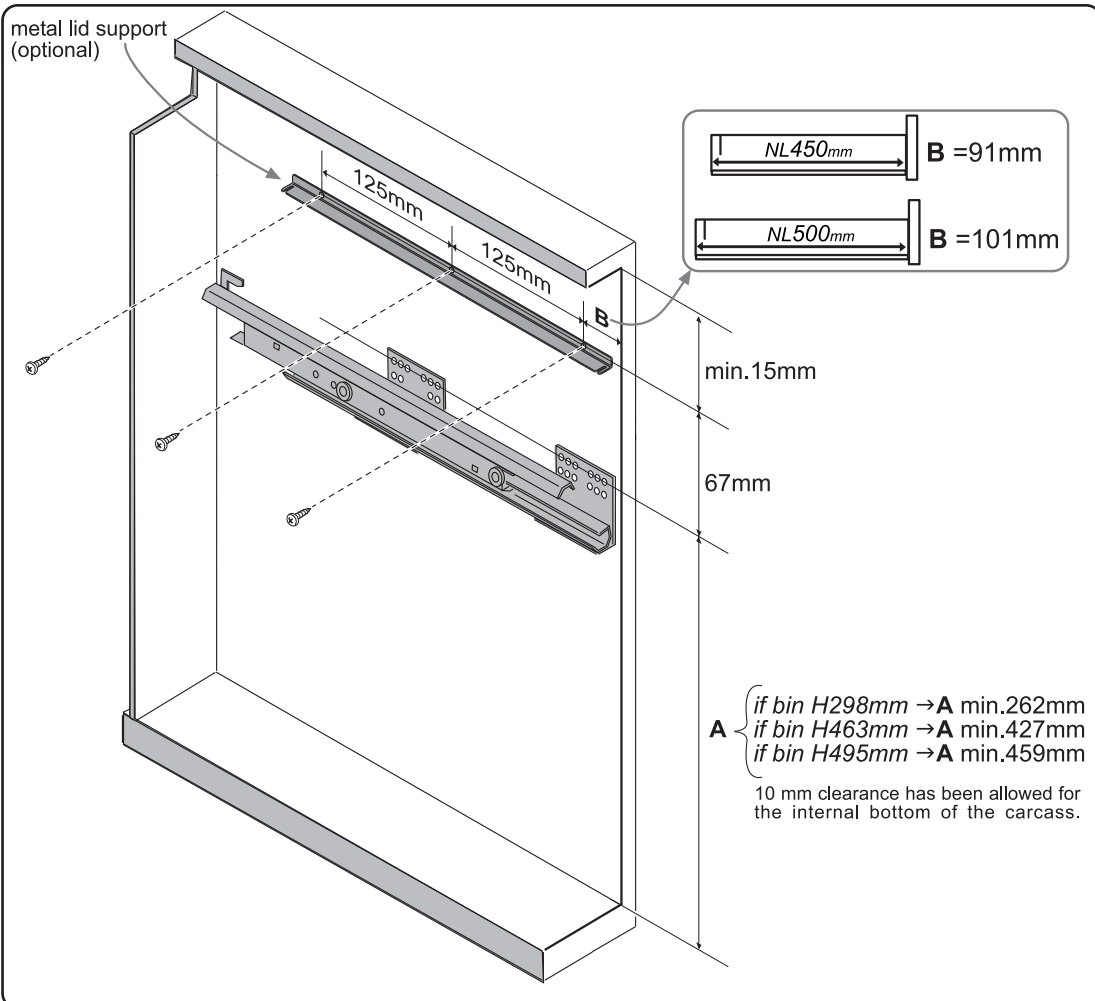


Blum Tandembox drawer front drilling position

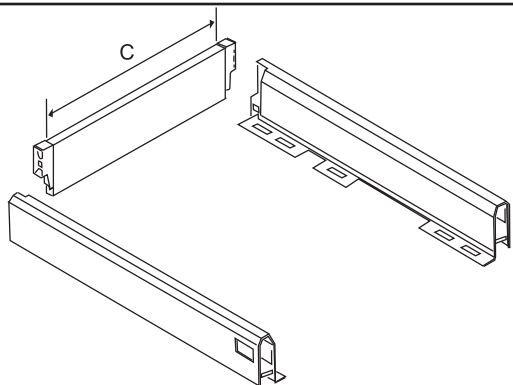
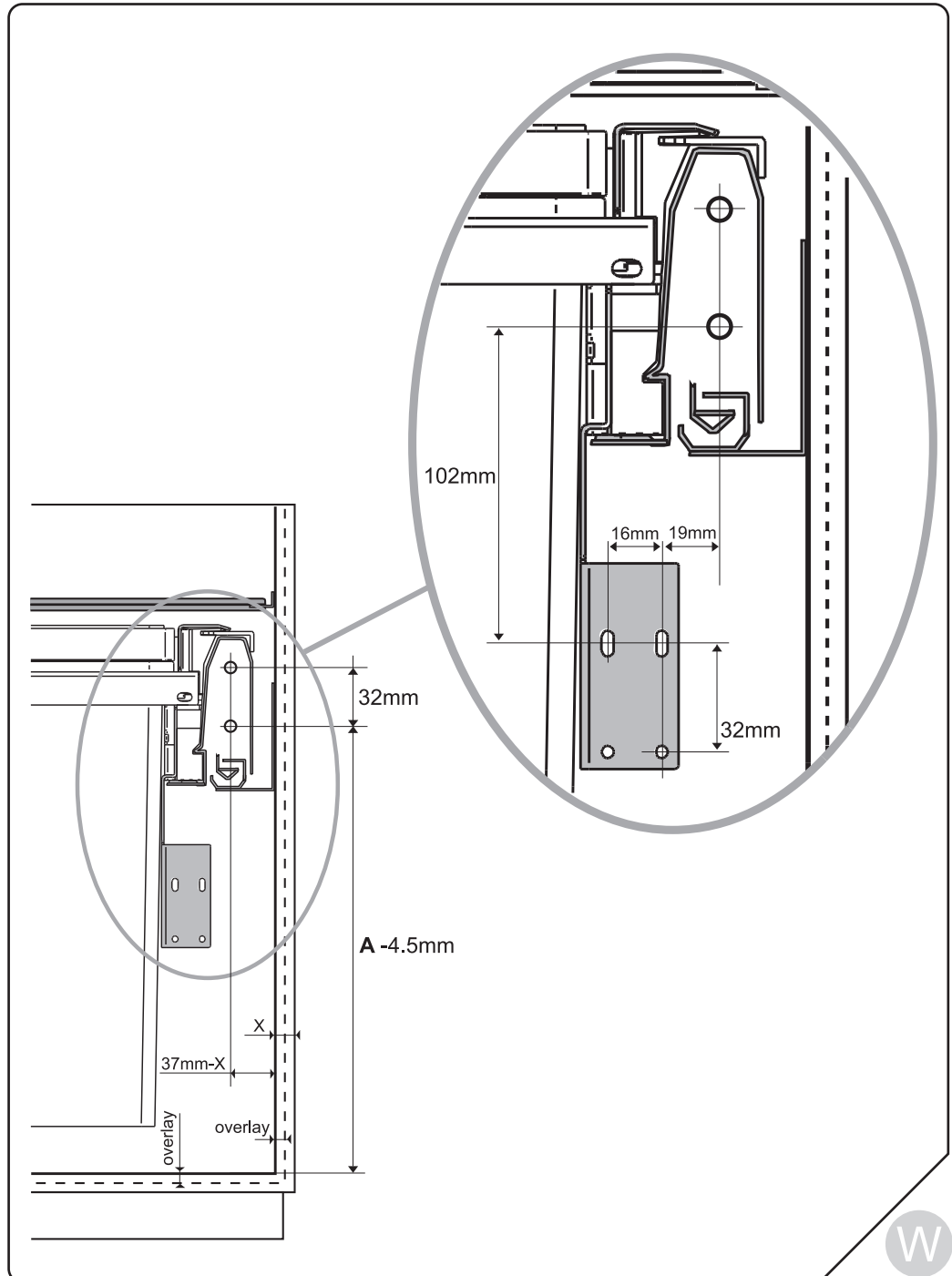


Hettich Arcitech

Hettich Arcitech carcass drawer runner & metal lid position (optional)



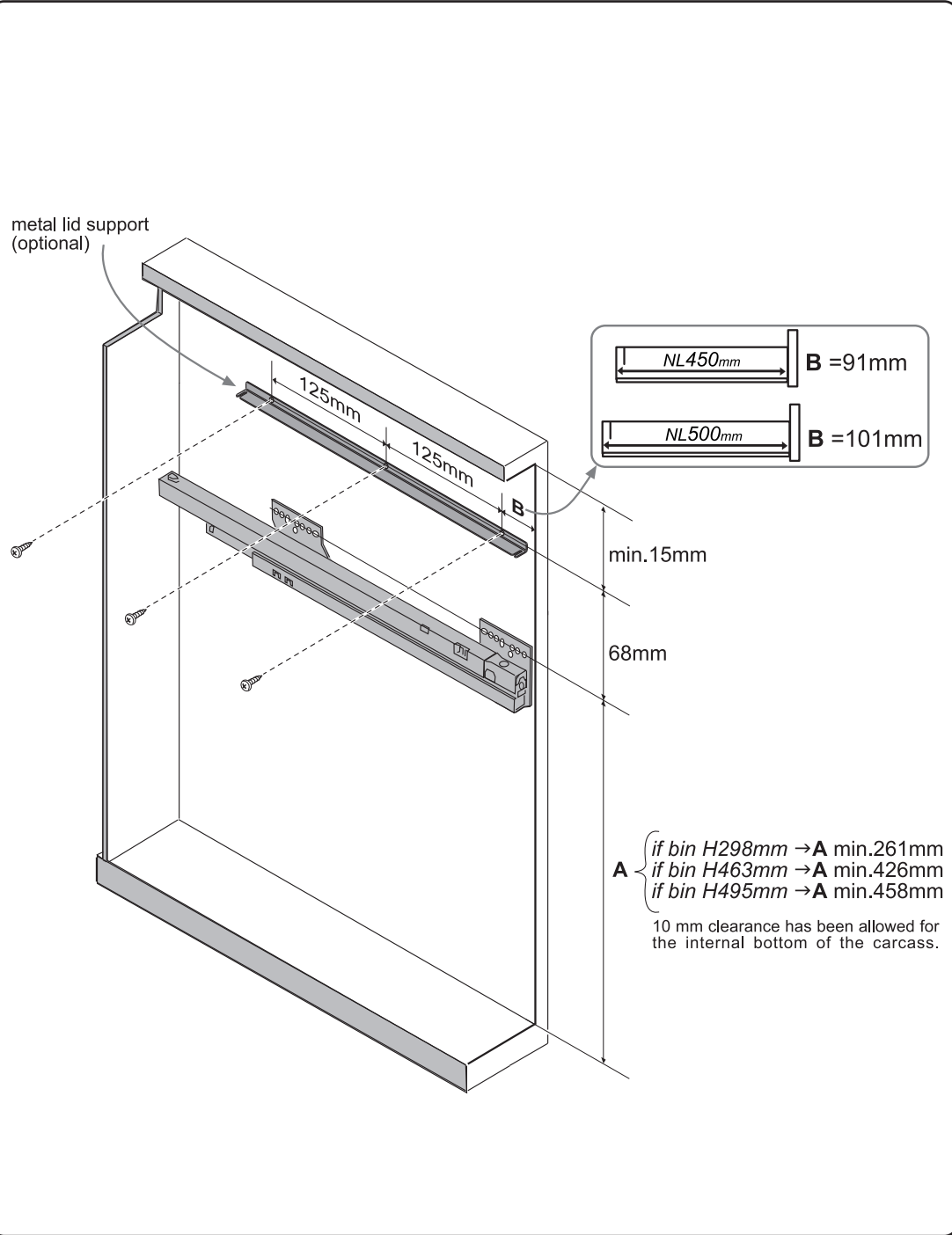
Hettich Arcitech drawer front drilling position



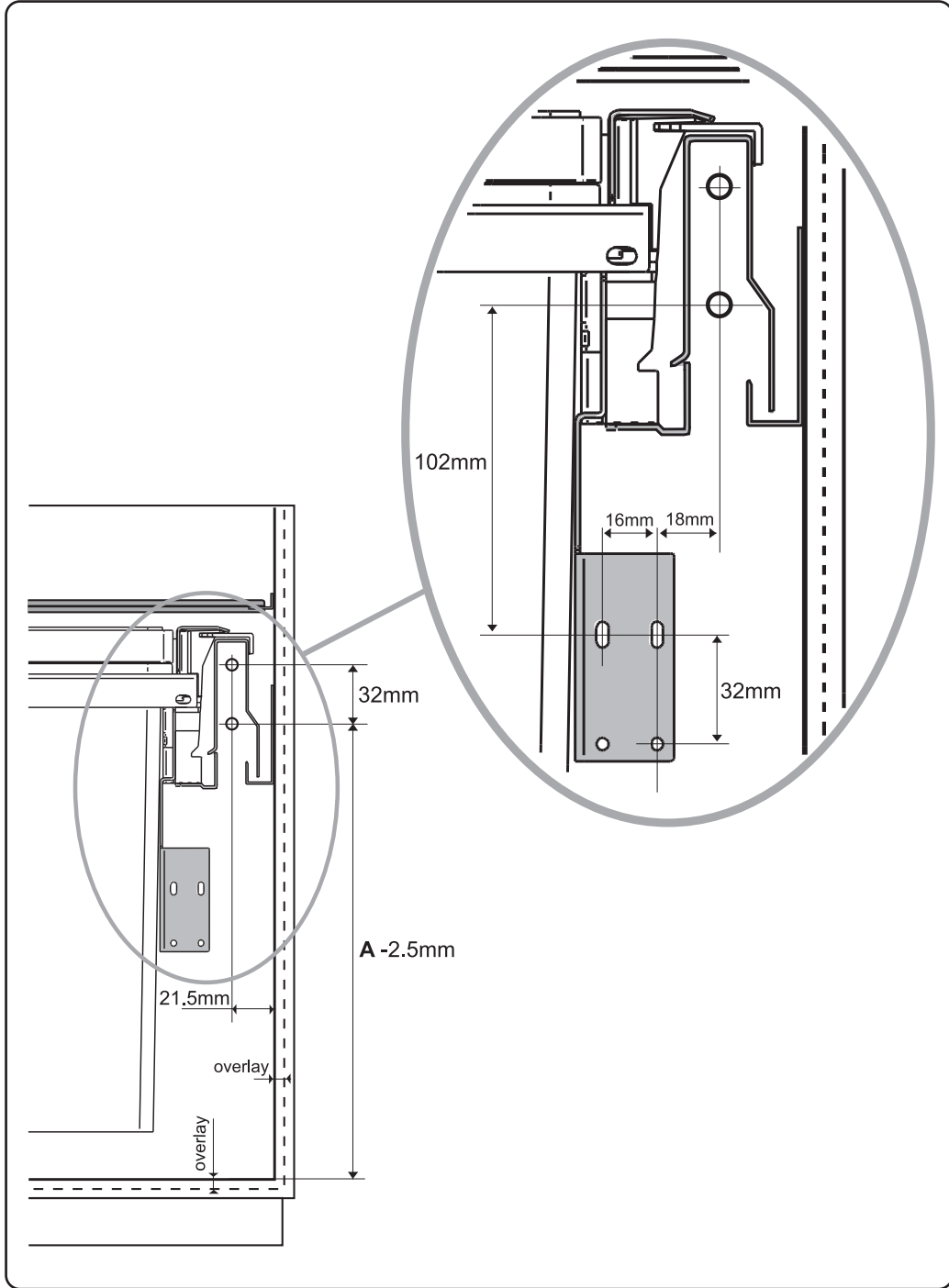
BASE mm	C mm
300	178.5
400	278.5
450	328.5
500	378.5
600	478.5
800	678.5
900	778.5

Grass Nova Pro

Grass Nova Pro carcass drawer runner & metal lid position (optional)

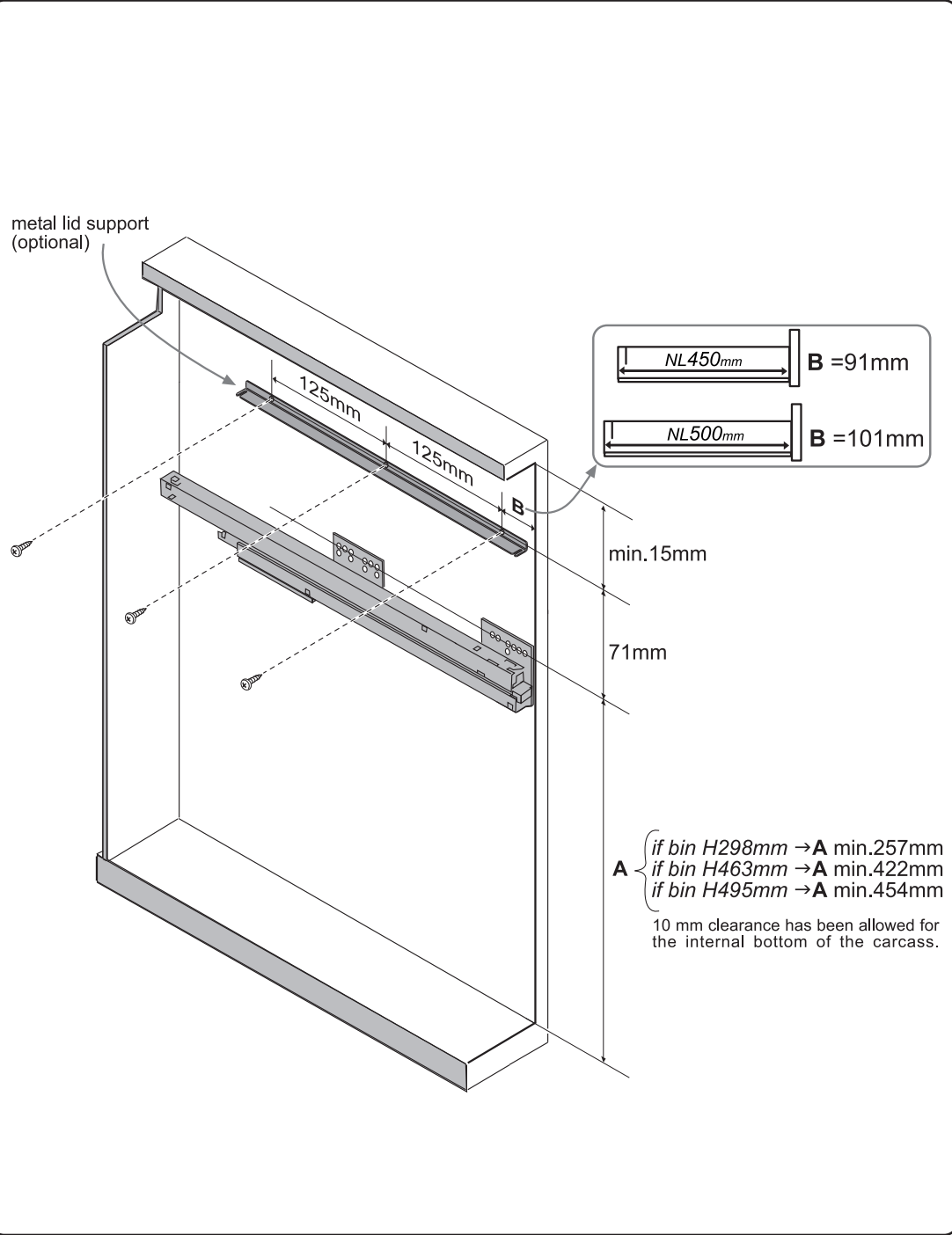


Grass Nova Pro drawer front drilling position



Grass DWD XP

Grass DWD XP carcass drawer runner & metal lid position (optional)



Grass DWD XP drawer front drilling position

